

IR 1600/2000

PARTS CATALOG

REVISION 0

Canon

SEPT 2001

FY8-31FP-00L

PREFACE

This Parts Catalog contains listings of parts used in the Canon iR1600/2000. Diagrams are provided with the listings to aid the service technician in identifying clearly, the item to be ordered.

Whenever ordering parts, consult this Parts Catalog for all of the information pertaining to each item. Be sure to include, in the Parts Request, the full item description, the item part number, and the quantity.

Canon Inc.

Office Imaging Products Quality Assurance Center
5-1, Hakusan 7-chome,
Toride-city, Ibaraki 302-8501, Japan

COPYRIGHT © 2001 CANON INC.

Printed in Japan

Imprimé au Japon

Use of this manual should be strictly supervised to avoid disclosure of confidential information.

CONTENTS

– iR1600/2000 –

- A. ASSEMBLY LOCATION DIAGRAM
- 100. EXTERNAL COVERS, PANELS, ETC.
- 101. LEFT COVER ASSEMBLY
- 102. INTERNAL COMPONENTS 1
- 103. INTERNAL COMPONENTS 2
- 104. INTERNAL COMPONENTS 3
- 105. INTERNAL COMPONENTS 4
- 106. MACHINE REAR PLATE
- 130. CONTROL PANEL ASSEMBLY
- 160. COPYBOARD COVER ASSEMBLY
- 210. READER ASSEMBLY
- 260. PRINTER DRIVE ASSEMBLY
- 300. CASSETTE
- 310. CASSETTE FEEDER ASSEMBLY
- 311. PAPER PICK-UP ASSEMBLY
- 312. PICK-UP GUIDE ASSEMBLY
- 315. MULTI-PURPOSE TRAY ASSEMBLY
- 640. DEVELOPING ASSEMBLY
- 810. FIXING ASSEMBLY
- B. LIST OF CONNECTORS
- Cassette Feeding Module-F1/G1/H1 –
- RA. ASSEMBLY LOCATION DIAGRAM
- R11. INTERNAL COMPONENTS (F1 TYPE)
- R12. INTERNAL COMPONENTS (G1 TYPE)
- R13. INTERNAL COMPONENTS (H1 TYPE)
- R40. CASSETTE FEEDER ASSEMBLY
- R41. CASSETTE FEEDER ASSEMBLY (G1/H1 TYPE)
- R42. PAPER PICK-UP ASSEMBLY
- R43. PAPER PICK-UP ASSEMBLY (G1/H1 TYPE)
- RB1. LIST OF CONNECTORS (F1 TYPE)
- RB2. LIST OF CONNECTORS (G1 TYPE)
- RB3. LIST OF CONNECTORS (H1 TYPE)

– Inner 2-way Tray-B1 –

- QA. ASSEMBLY LOCATION DIAGRAM
- Q01. MOUNTING HARDWARE
- Q30. DELIVERY ASSEMBLY
- QB. LIST OF CONNECTORS
- PRINTER BOARD-N1 –
- UA. ASSEMBLY LOCATION DIAGRAM
- U10. PS/PCL PRINTER BOARD ASSEMBLY
- U11. NETWORK I/F BOARD ASSEMBLY
- U12. PS ROM
- U13. HARD DISK
- C. LIST OF STANDARD FASTENERS
- D1. NUMERICAL INDEX
(iR1600/2000)
- D2. NUMERICAL INDEX
(Cassette Feeding Module-F1/G1/H1)
- D3. NUMERICAL INDEX
(Inner 2-way Tray-B1)
- D4. NUMERICAL INDEX
(PRINTER BOARD-N1)

iR1600/2000

LIST OF SERIAL NUMBER

iR1600

220V 50Hz	F14-2110	RSP00001-
220V 60Hz	F14-2120	RSQ00001-
220V 50Hz	F14-2121	QSK00001-
220V 50Hz	F14-2121	RSM00001-
220V 50Hz	F14-2141	QSL00001-
220V 50Hz	F14-2141	RSN00001-
240V 50Hz	F14-2151	QEN00001-
240V 50Hz	F14-2151	QFB00001-
240V 50Hz	F14-2161	REN00001-
240V 50Hz	F14-2161	RFJ00001-
220V 50Hz	F14-2171	SDM00001-
220V 50Hz	F14-2171	SED00001-
220V 50Hz	F14-2181	TDW00001-
220V 50Hz	F14-2181	TEN00001-
220V 50Hz	F14-2191	UHR00001-
220V 50Hz	F14-2191	UJJ00001-

iR2000

220V 50Hz	F14-2123	QSM00001-
220V 50Hz	F14-2123	RSS00001-
220V 50Hz	F14-2130	RST00001-
220V 60Hz	F14-2140	RSU00001-
220V 50Hz	F14-2143	QSN00001-
220V 50Hz	F14-2143	RSV00001-
240V 50Hz	F14-2153	QEQ00001-
240V 50Hz	F14-2153	QFC00001-
240V 50Hz	F14-2163	REP00001-
240V 50Hz	F14-2163	RFK00001-
220V 50Hz	F14-2173	SDP00001-
220V 50Hz	F14-2173	SEE00001-
220V 50Hz	F14-2183	TDY00001-
220V 50Hz	F14-2183	TEP00001-
220V 50Hz	F14-2193	UHS00001-
220V 50Hz	F14-2193	UJK00001-

CONTENTS

- iR1600/2000 -

A. ASSEMBLY LOCATION DIAGRAM

100. EXTERNAL COVERS, PANELS, ETC.

101. LEFT COVER ASSEMBLY

102. INTERNAL COMPONENTS 1

103. INTERNAL COMPONENTS 2

104. INTERNAL COMPONENTS 3

105. INTERNAL COMPONENTS 4

106. MACHINE REAR PLATE

130. CONTROL PANEL ASSEMBLY

160. COPYBOARD COVER ASSEMBLY

210. READER ASSEMBLY

260. PRINTER DRIVE ASSEMBLY

300. CASSETTE

310. CASSETTE FEEDER ASSEMBLY

311. PAPER PICK-UP ASSEMBLY

312. PICK-UP GUIDE ASSEMBLY

315. MULTI-PURPOSE TRAY ASSEMBLY

640. DEVELOPING ASSEMBLY

810. FIXING ASSEMBLY

B. LIST OF CONNECTORS

D1. NUMERICAL INDEX

(iR1600/2000)

FIGURE A ASSEMBLY LOCATION DIAGRAM (1/2)

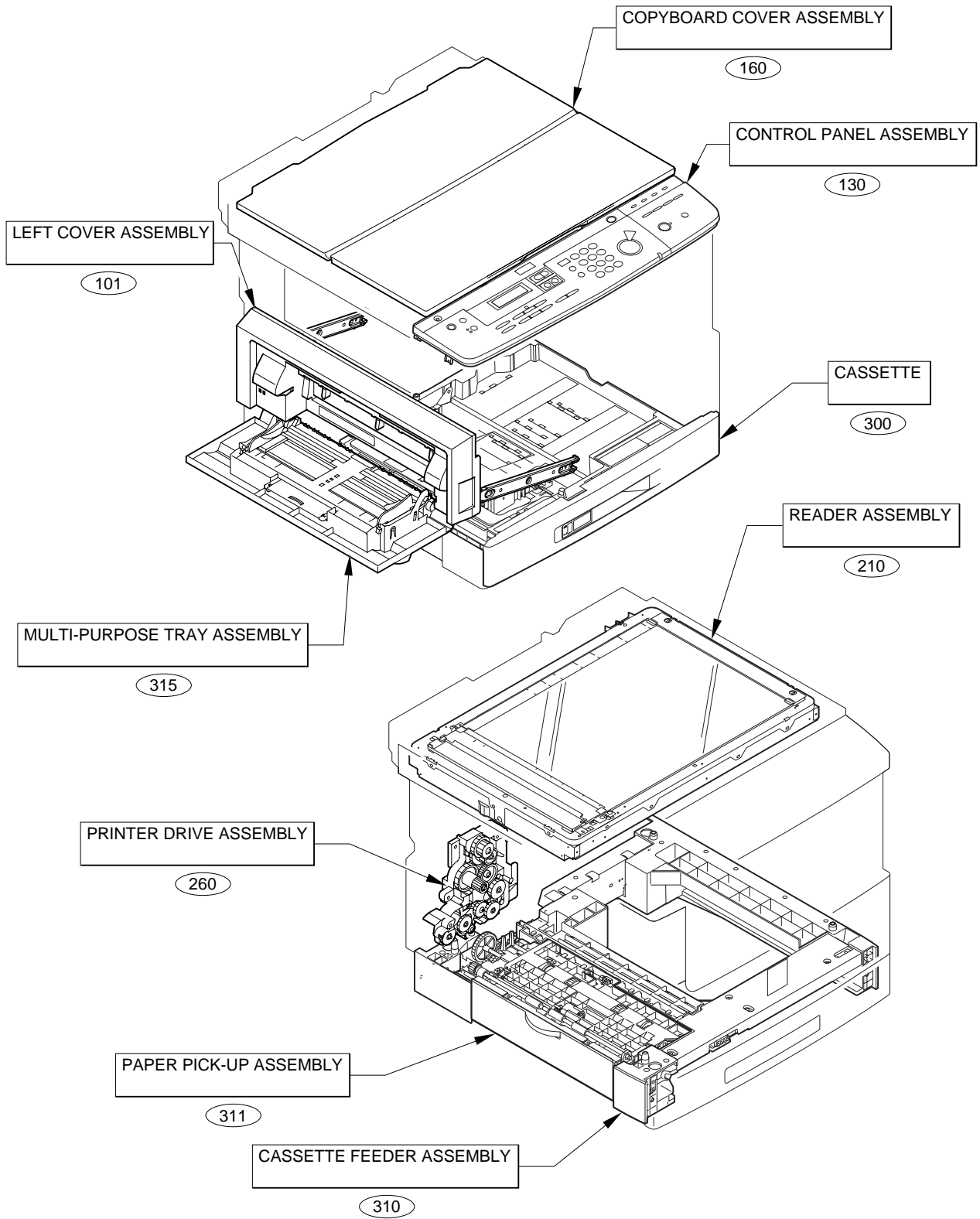


FIGURE A ASSEMBLY LOCATION DIAGRAM (2/2)

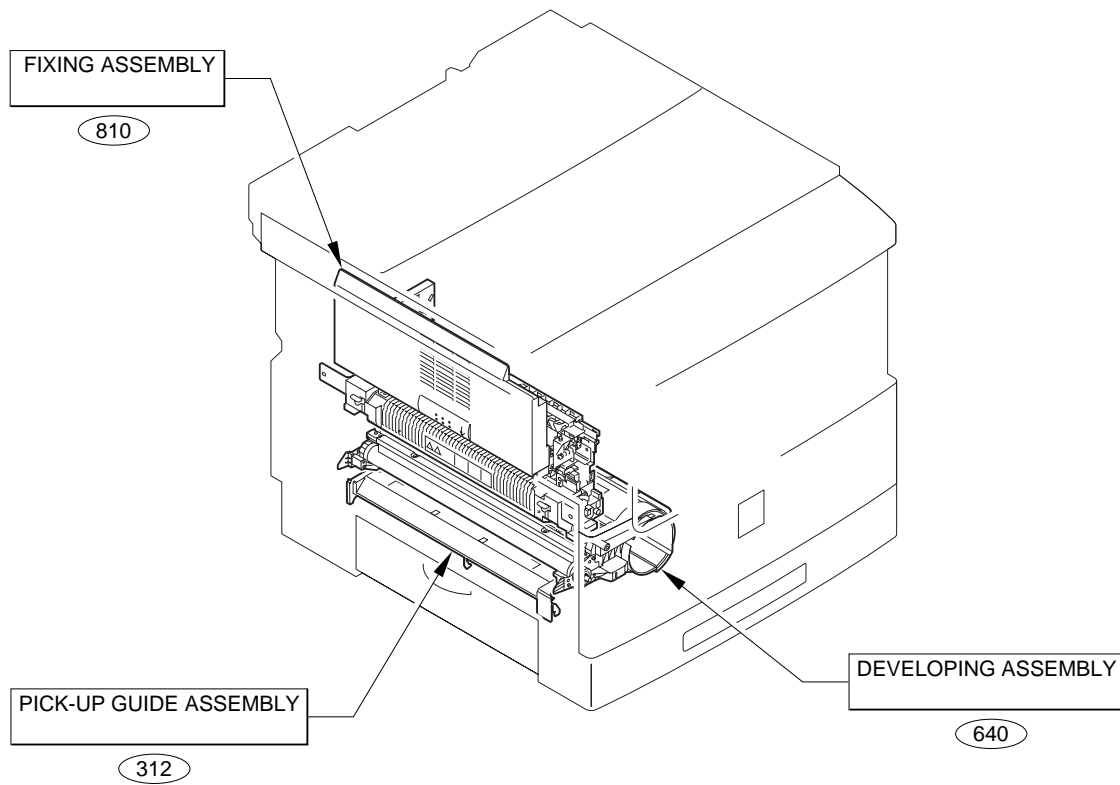


FIGURE 100 EXTERNAL COVERS, PANELS, ETC.

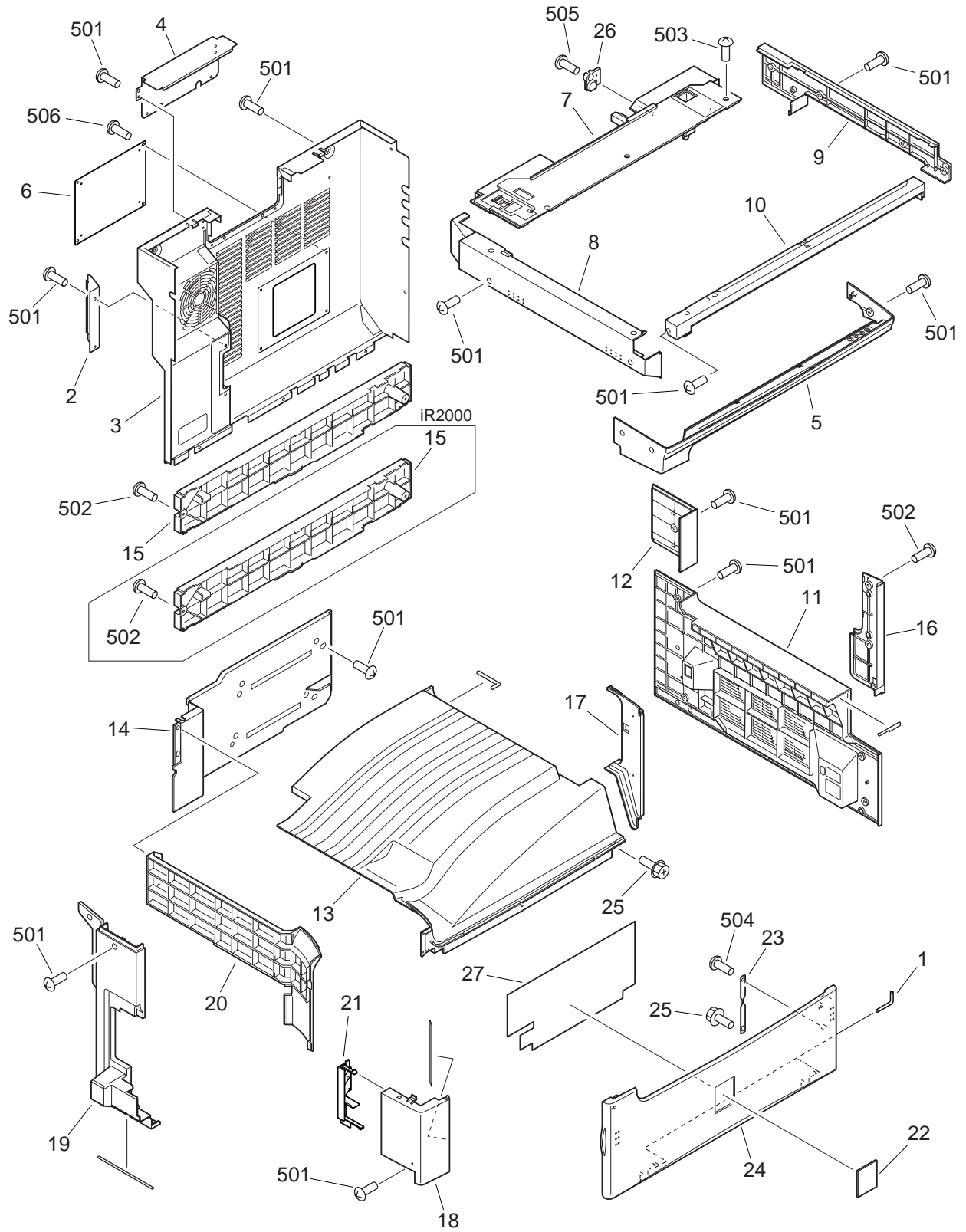


FIGURE & KEY NO.	PART NUMBER	RANK	QTY	DESCRIPTION	SERIAL NUMBER / REMARKS
100 -	NPN		RF	EXTERNAL COVERS, PANELS, ETC.	
1	FB3-2224-000		2	PIN, HINGE	
2	FB6-1244-000		1	COVER, INTERFACE CONNECTOR	
3	FB6-2127-000		1	PANEL, REAR	
4	FB6-1264-000		1	COVER, BLANKING	
5	FB6-1265-000		1	PANEL, CONTROL PANEL LOWER	
6	FB1-7157-000		1	COVER, BLANKING, REAR	
7	FB6-1309-000		1	PANEL, READER REAR	
8	FB6-1351-000		1	PANEL, READER LEFT	
9	FB6-1352-000		1	PANEL, READER RIGHT	
10	FB6-1353-000		1	PANEL, READER FRONT	
11	FF6-1631-000		1	PANEL, RIGHT	
12	FB6-1386-000		1	PANEL, RIGHT UPPER	
13	FF6-1630-000		1	TRAY, COPY	
14	FB6-1547-000		1	PANEL, DELIVERY REAR	
15	FB6-1607-000		1	PANEL, FEEDER REAR	IR1600
	FB6-1607-000		2	PANEL, FEEDER REAR	IR2000
16	FB6-1672-000		1	PANEL, RIGHT FRONT	
17	FB6-1673-000		1	PANEL, RIGHT FRONT INNER	
18	FB6-1692-000		1	PANEL, LEFT FRONT, 1	
19	FB6-1693-000		1	PANEL, LEFT REAR	
20	FB6-1694-000		1	PANEL, DELIVERY UPPER	
21	FB6-1695-000		1	PANEL, LEFT FRONT, 2	
22	FB6-1941-000		1	EMBLEM	IR1600
	FB6-1944-000		1	EMBLEM	IR2000
23	FB4-5584-000		1	STRAP, DOOR SUPPORT	
24	FF6-1700-000		1	PANEL, FRONT	
25	XA9-0629-000		3	SCREW,RS,M4X8	
26	FB4-5502-000		1	CLAMP, CABLE	
27	FB6-2141-000		1	LABEL, JAM	ENGLISH

FIGURE & KEY NO.	PART NUMBER	RANK	QTY	DESCRIPTION	SERIAL NUMBER / REMARKS
100 - 27	FB6-2142-000		1	LABEL, JAM	FRENCH
	FB6-2143-000		1	LABEL, JAM	GERMAN
	FB6-2144-000		1	LABEL, JAM	SPANISH
	FB6-2145-000		1	LABEL, JAM	ITALIAN
501	XB1-2300-607		AR	SCREW,MACH.,TRUSS HEAD,M3X6	
502	XB4-7401-205		AR	SCREW,TAPPING,TRUSS HEAD,M4X12	
503	XB1-2300-407		7	SCREW,MACH.,TRUSS HEAD,M3X4	
504	XB4-5401-007		1	SCREW, M4X10	
505	XB4-7300-809		1	SCREW,TAPPING,TRUSS HEAD,M3X8	
506	XB2-5400-607		4	SCREW,W/WASHER,M4X6	

FIGURE 101 LEFT COVER ASSEMBLY

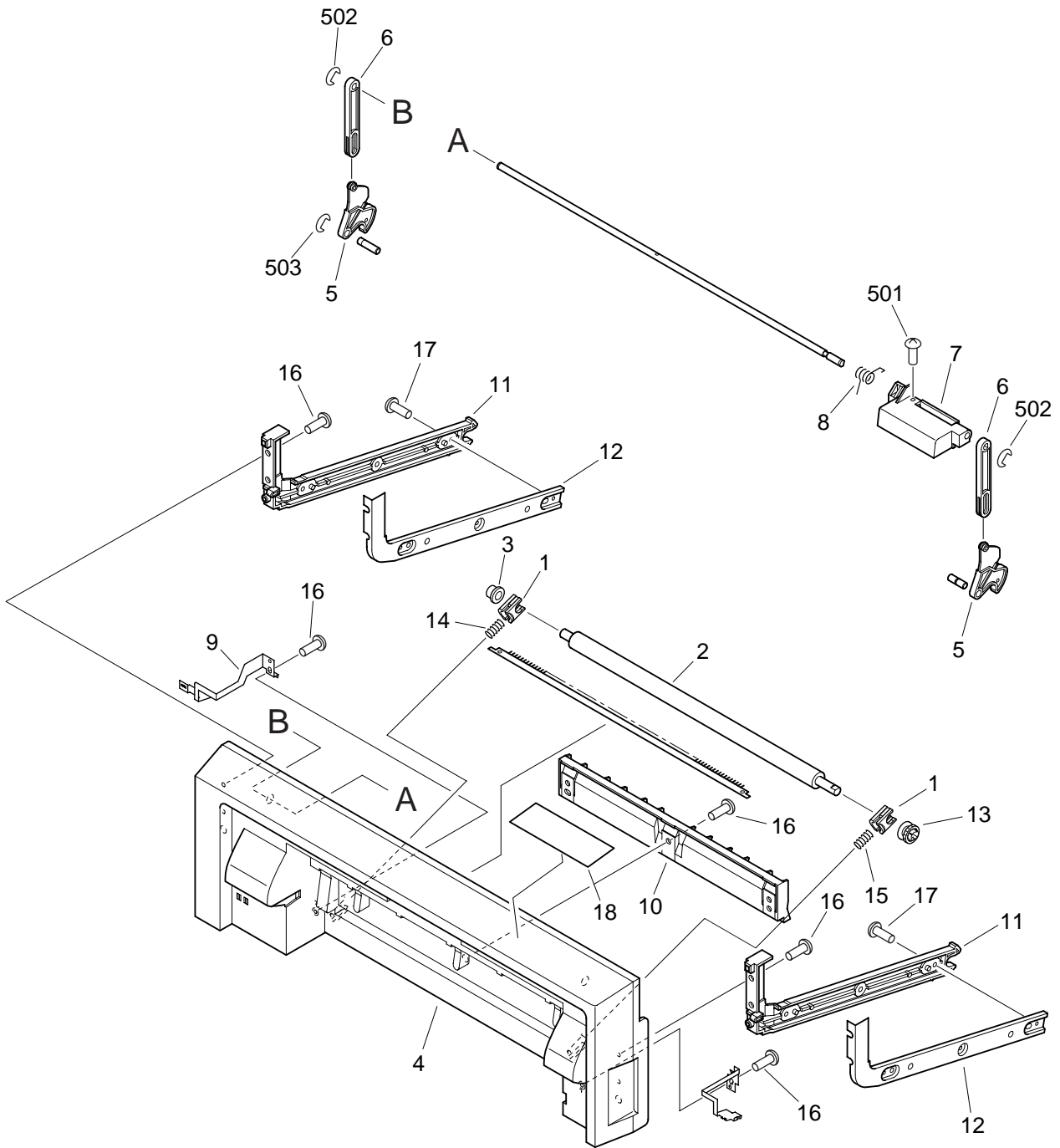


FIGURE & KEY NO.	PART NUMBER	R A N K	Q' T Y	DESCRIPTION	SERIAL NUMBER / REMARKS
101 -	NPN		RF	LEFT COVER ASSEMBLY	
1	FB5-8013-000		2	BUSHING	
2	FB5-8019-000		1	ROLLER, TRANSFER	
3	FB5-8020-000		1	ROLLER	
4	FB6-1421-000		1	PANEL, LEFT	
5	FB6-1422-000		2	LEVER, LOCK	
6	FB6-1425-000		2	LEVER, HANDLE	
7	FB6-1426-000		1	HANDLE	
8	FB6-1427-000		1	SPRING, TORSION	
9	FB6-1429-000		1	PLATE, GROUNDING	
10	FB6-1444-000		1	GUIDE, FEED	
11	FB6-1451-000		2	RAIL, LEFT PANEL	
12	FB6-1452-000		2	SUPPORT, RAIL	
13	FS7-0979-000		1	GEAR, 30T	
14	FS7-2584-000		1	SPRING, COMPRESSION	
15	FS7-2602-000		1	SPRING, COMPRESSION	
16	XA9-0870-000		9	SCREW,P,M4X10	
17	XA9-1116-000		6	SCREW,M3X5	
18	FB6-1461-000		1	LABEL, "LEFT DOOR CLOSE"	
501	XB1-2300-606		1	SCREW,MACH.,TRUSS HEAD,M3X6	
502	XD2-1100-402		2	RING,E	
503	XD2-1100-502		1	RING,E	

FIGURE 102 INTERNAL COMPONENTS 1

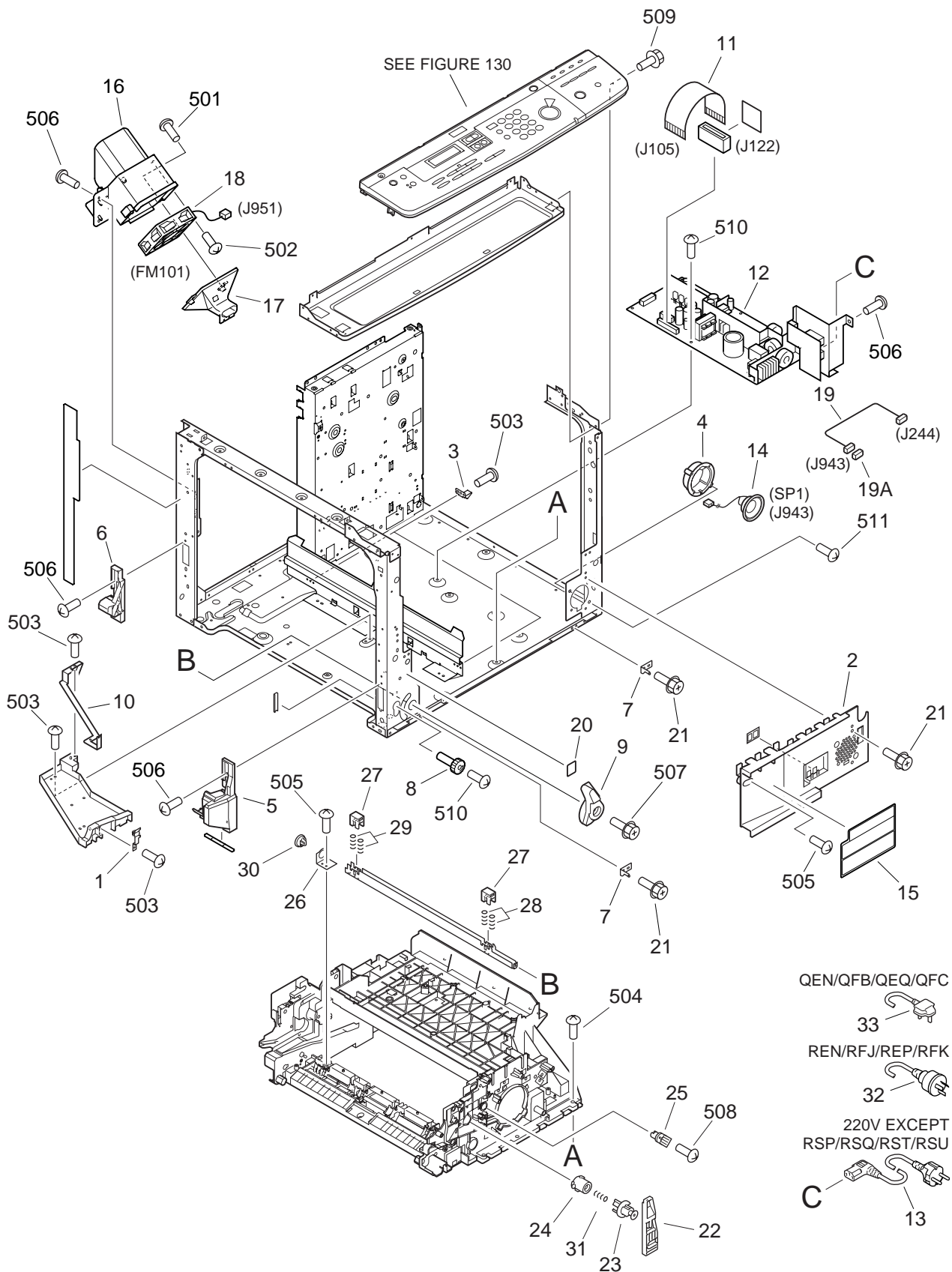


FIGURE & KEY NO.	PART NUMBER	RANK	QTY	DESCRIPTION	SERIAL NUMBER / REMARKS
102 -	NPN		RF	INTERNAL COMPONENTS 1	
1	FB6-2061-000		1	CONNECTOR, BIAS, 1	
2	FB6-1380-000		1	COVER, INNER	
3	FB6-1382-000		2	PLATE, GROUNDING	
4	FB6-1387-000		1	HOLDER, SPEAKER	
5	FB6-1447-000		1	SUPPORT, RAIL, FRONT	
6	FB6-1448-000		1	SUPPORT, RAIL, REAR	
7	FB6-1450-000		2	SUPPORT, FRONT COVER	
8	FB6-1460-000		1	KNOB	
9	FB6-2053-000		1	HANDLE, DEVELOPING PRESSURE	
10	FB6-2062-000		1	CONNECTOR, BIAS, 2	
11	FH2-6894-000		1	CABLE, FLAT, 35P	J105,122
12	FH3-2645-000		1	POWER SUPPLY PCB ASSEMBLY	
13	FH2-6965-000		1	CORD, POWER	220V EXCEPT RSP/RSQ/RST/RSU
14	FH5-3230-000		1	SPEAKER	SP1 J943
15	FB6-2137-000		1	LABEL, "TONER CARTRIDGE"	
16	FB6-1669-000		1	HOLDER, FAN	
17	FB6-1700-000		1	DUCT, FAN	
18	FH6-1835-000		1	FAN	FM101 J951
19	FG6-8498-000		1	CABLE, SPEAKER	J244,943
19A	VS1-5057-002		1	CONNECTOR, SNAP TIGHT	J943
20	FB6-2140-000		1	LABEL, LOCK	
21	XA9-0629-000		AR	SCREW,RS,M4X8	
22	FB6-2064-000		1	LEVER, DRUM COUPLING	
23	FB6-2065-000		1	COUPLING, DRUM, 1	
24	FB6-2066-000		1	COUPLING, DRUM, 2	
25	FB6-2071-000		1	HOLDER, DEVELOPING, FRONT	
26	FB6-2051-000		1	SUPPORT, PRESSURE SHAFT	
27	FB6-2054-000		2	CAM, DEVELOPING PRESSURE	
28	FB6-2055-000		2	SPRING, COMPRESSION	

FIGURE & KEY NO.	PART NUMBER	RANK	QTY	DESCRIPTION	SERIAL NUMBER / REMARKS
102 - 29	FB6-2056-000		2	SPRING, COMPRESSION	
30	FB6-2057-000		1	BUSHING	
31	FB6-2067-000		1	SPRING, COMPRESSION	
32	FH2-6966-000		1	CORD, POWER	REN/RFJ/REP/RFK
33	RH2-5229-000		1	CORD, POWER	QEN/QFB/QEQ/QFC
501	XB4-7300-609		2	SCREW,TAPPING,TRUSS HEAD,M3X6	
502	XB4-7403-509		2	SCREW,TAPPING,TRUSS HEAD,M4X35	
503	XB1-2300-609		AR	SCREW,MACH.,TRUSS HEAD,M3X6	
504	XB1-2401-809		8	SCREW,MACH.,TRUSS HEAD,M4X18	
505	XB4-7400-809		AR	SCREW,TAPPING,TRUSS HEAD,M4X8	
506	XB6-7300-606		AR	SCREW,TP,M3X6	
507	XB3-6400-800		1	SCREW,RS,M4X8	
508	XB4-7300-809		1	SCREW,TAPPING,TRUSS HEAD,M3X8	
509	XB3-6300-800		AR	SCREW,RS,M3X8	
510	XB1-2300-607		AR	SCREW,MACH.,TRUSS HEAD,M3X6	
511	XB4-5401-007		AR	SCREW, M4X10	

FIGURE 103 INTERNAL COMPONENT 2

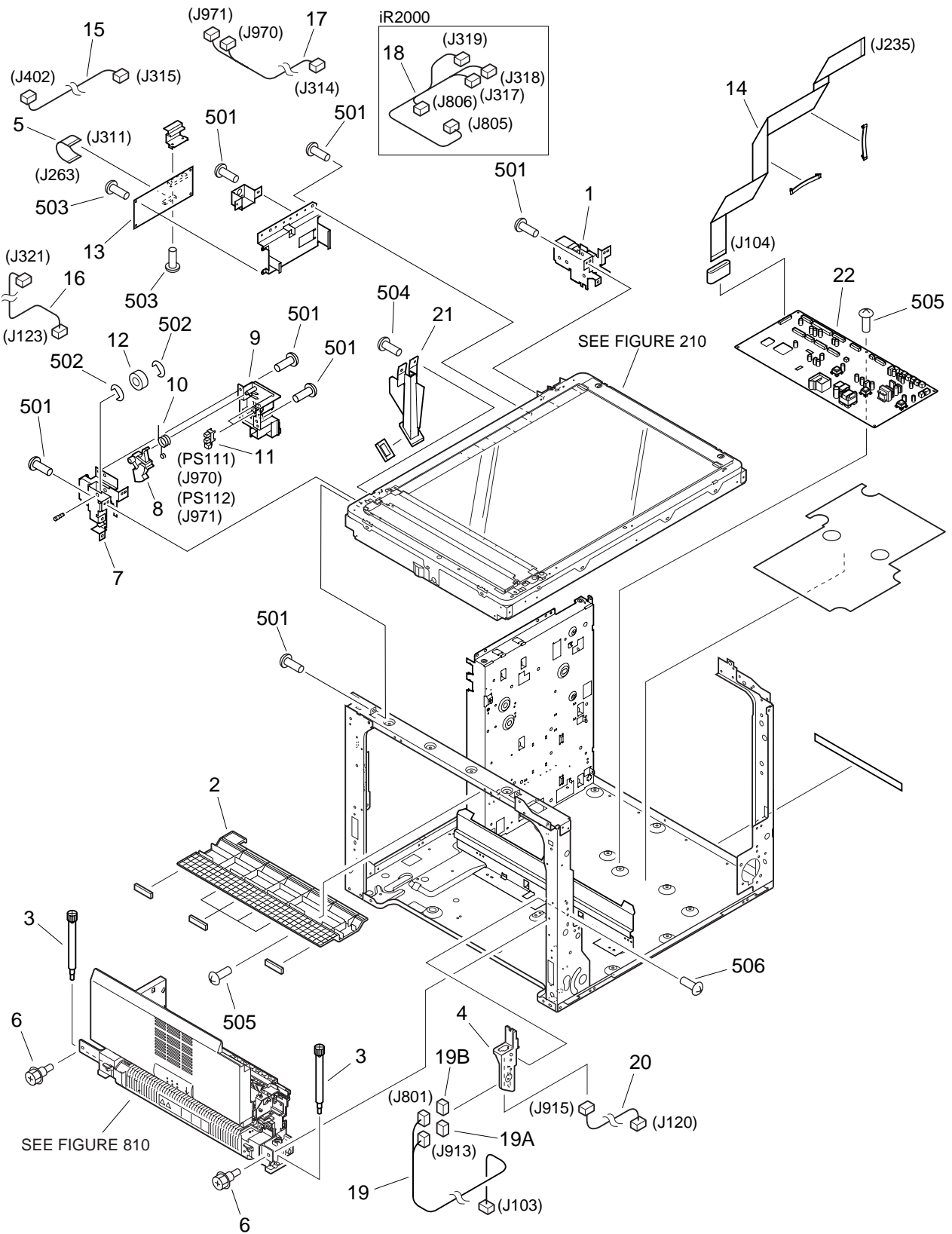


FIGURE & KEY NO.	PART NUMBER	RANK	QTY	DESCRIPTION	SERIAL NUMBER / REMARKS
103 -	NPN		RF	INTERNAL COMPONENTS 2	
1	FB6-1303-000		1	MOUNT, HINGE, RIGHT	
2	FB6-1350-000		1	SHIELD, READER HEAT	
3	FB6-1504-000		2	SCREW,STEEPED,M4	
4	FB6-1671-000		1	HOLDER, FIXING CONNECTOR	
5	FH2-6945-000		1	CABLE, FLAT	J263,311
6	FS5-9742-000		2	SCREW,STEPPED RS,M3	
7	FB6-1304-000		1	MOUNT, HINGE, LEFT	
8	FB6-1326-000		1	LEVER, SENSOR	
9	FB6-1327-000		1	HOLDER, SENSOR	
10	FB6-1328-000		1	SPRING, TORSION	
11	WG8-5362-000		2	IC, TLP1241, PHOTO-INTERRUPTER	PS111,112 J970,971
12	XG9-0390-000		1	BEARING, BALL, R1350ZZ SD99	
13	FG6-8384-000		1	DOC.DET./READ.MOTOR PCB ASS'Y	
14	FH2-6942-000		1	CABLE, FLAT	J104,235
15	FG6-8459-000		1	CABLE, AP-DRIVER	J315,402
16	FG6-8460-000		1	CABLE, DRIVER-POWER	J123,321
17	FG6-8461-000		1	CABLE, COPYBOARD SENSOR	J314,970,971
18	FG6-8464-000		1	CABLE, DOCUMENT SIZE SENSOR	IR2000 J317-319,805,806
19	FG6-8480-000		1	CABLE, PRINTER FRONT	J103,801,913
19A	VS1-5057-006		1	CONNECTOR, SNAP TIGHT	J913
19B	VS1-5057-007		1	CONNECTOR, SNAP TIGHT	J801
20	FG6-8486-000		1	CABLE, FIXING AC	J120,915
21	FB6-1252-000		1	DUCT, INTAKE	
22	FG6-8879-000		1	DC CONTROLLER PCB ASSEMBLY	IR1600
	FG6-8880-000		1	DC CONTROLLER PCB ASSEMBLY	IR2000
501	XB1-2300-609		AR	SCREW,MACH.,TRUSS HEAD,M3X6	
502	XD2-1100-402		2	RING,E	
503	XB2-8300-807		6	SCREW,W/WASHER,M3X8	
504	XB1-2400-609		2	SCREW,MACH.,TRUSS HEAD,M4X6	

FIGURE & KEY NO.	PART NUMBER	R A N K	Q' T Y	DESCRIPTION	SERIAL NUMBER / REMARKS
103 - 505	XB1-2300-607		AR	SCREW,MACH.,TRUSS HEAD,M3X6	
506	XB4-7400-809		1	SCREW,TAPPING,TRUSS HEAD,M4X8	

FIGURE 104

INTERNAL COMPONENTS 3

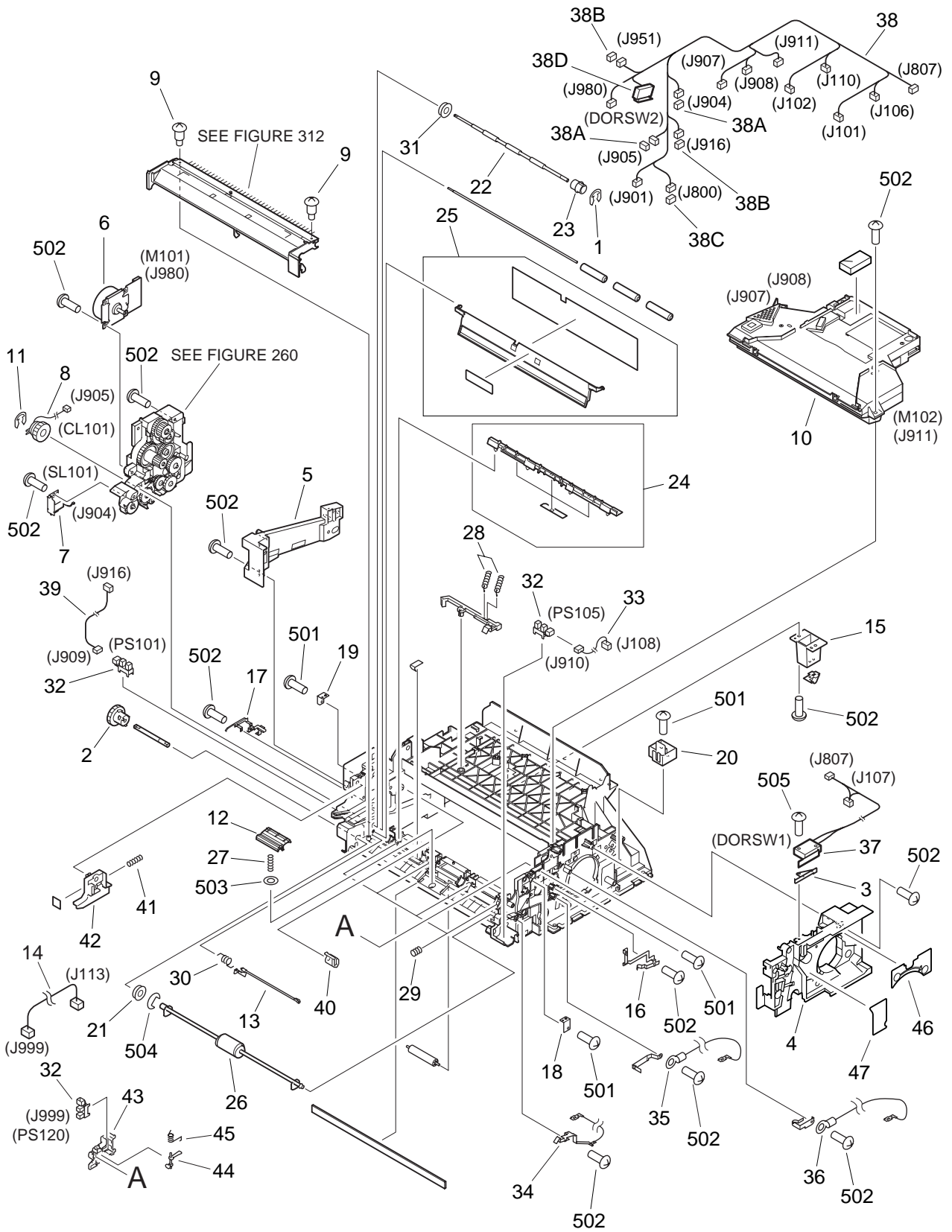


FIGURE & KEY NO.	PART NUMBER	RANK	QTY	DESCRIPTION	SERIAL NUMBER / REMARKS
104 -	NPN		RF	INTERNAL COMPONENTS 3	
1	FA4-1159-000		1	RING, RETAINING	
2	FB5-8032-000		1	GEAR, 36T	
3	FB6-1432-000		1	SPRING, LEAF	
4	FB6-2060-000		1	GUIDE, RAIL, FRONT	
5	FB6-1446-000		1	GUIDE, RAIL, REAR	
6	FH6-1832-000		1	MOTOR, DC	M101 J980
7	FH6-5001-000		1	SOLENOID	SL101 J904
8	FH7-5996-000		1	CLUTCH, ELECTROMAGNETIC	CL101 J905
9	FS5-9709-000		2	SCREW, STEPPED, M3	
10	FG6-7127-000		1	LASER/SCANNER UNIT	M102 J907,908,911
11	FB4-2007-000		1	RING, RETAINING	
12	FB5-8028-000		1	HOLDER, PAD	
13	FB5-8047-000		1	FLAG, SENSOR	
14	FG6-8890-000		1	CABLE, WASTE TONER SENSOR	J113,999
15	FB6-1364-000		1	HOLDER, TRANSFER CONTACT	
16	FB6-1368-000		1	PLATE, GROUNDING	
17	FB6-1372-000		1	PLATE, GROUNDING	
18	FB6-1383-000		1	PLATE, FIXING, FRONT	
19	FB6-1384-000		1	PLATE, FIXING, REAR	
20	FB6-1388-000		1	HOLDER, HIGH VOLTAGE CABLE	
21	FB6-1457-000		1	BUSHING	
22	FB6-1458-000		1	ROLLER, REGISTRATION	
23	FB6-1459-000		1	BUSHING	
24	FF6-1738-000		1	GUIDE, REGIST ROLLER	
25	FF6-1670-000		1	DEFLECTOR, PAPER PICK-UP	
26	FF6-1671-000		1	ROLLER, MULTI-PURPOSE PICK-UP	
27	FS7-2585-000		1	SPRING, COMPRESSION	
28	FS7-2587-000		2	SPRING, TENSION	
29	FS7-2589-000		4	SPRING, COMPRESSION	

FIGURE & KEY NO.	PART NUMBER	RANK	QTY	DESCRIPTION	SERIAL NUMBER / REMARKS
104 - 30	FS7-2590-000		1	SPRING, TORSION	
31	FB5-8158-000		1	BUSHING	
32	WG8-5362-000		3	IC, TLP1241, PHOTO-INTERRUPTER	PS101,105,120 J909,910,999
33	FG6-8468-000		1	CABLE, MULTI PAPER SENSOR	J108,910
34	FG6-8495-000		1	CABLE, TRANSFER CONTACT	
35	FG6-8499-000		1	CABLE, DEVELOPING CONTACT	
36	FG6-8500-000		1	CABLE, PRIMARY CONTACT	
37	FG6-8470-000		1	CABLE, DOOR SWITCH	DORSW1 J107,807
38	FG6-8481-000		1	CABLE, PRINTER REAR	DORSW2 J101,102,106,110,800 J807,901,904,905,907 J908,911,916,951,980
38A	VS1-5057-002		2	CONNECTOR, SNAP TIGHT	J904,905
38B	VS1-5057-003		2	CONNECTOR, SNAP TIGHT	J916,951
38C	VS1-5057-013		1	CONNECTOR, SNAP TIGHT	J800
38D	WC4-5126-000		1	MICROSWITCH	DORSW2
39	FG6-8483-000		1	CABLE, REGIST SENSOR	J909,916
40	FB6-2072-000		1	HOLDER, DEVELOPING, REAR	
41	FB6-2074-000		1	SPRING, COMPRESSION	
42	FF6-1766-000		1	SUPPORT, DRUM UNIT	
43	FB6-2068-000		1	HOLDER, SENSOR	
44	FB6-2069-000		1	FLAG, SENSOR	
45	FB6-2070-000		1	SPRING, TORSION	
46	FB6-2138-000		1	LABEL, RAIL GUIDE, 1	
47	FB6-2139-000		1	LABEL, RAIL GUIDE, 2	
501	XB4-7300-809		AR	SCREW,TAPPING,TRUSS HEAD,M3X8	
502	XB4-7400-809		AR	SCREW,TAPPING,TRUSS HEAD,M4X8	
503	XD1-1108-219		1	SHIM	
504	XD2-1100-502		1	RING,E	
505	XB4-7401-609		1	SCREW,TAPPING,TRUSS HEAD,M4X16	

FIGURE 105 INTERNAL COMPONENTS 4

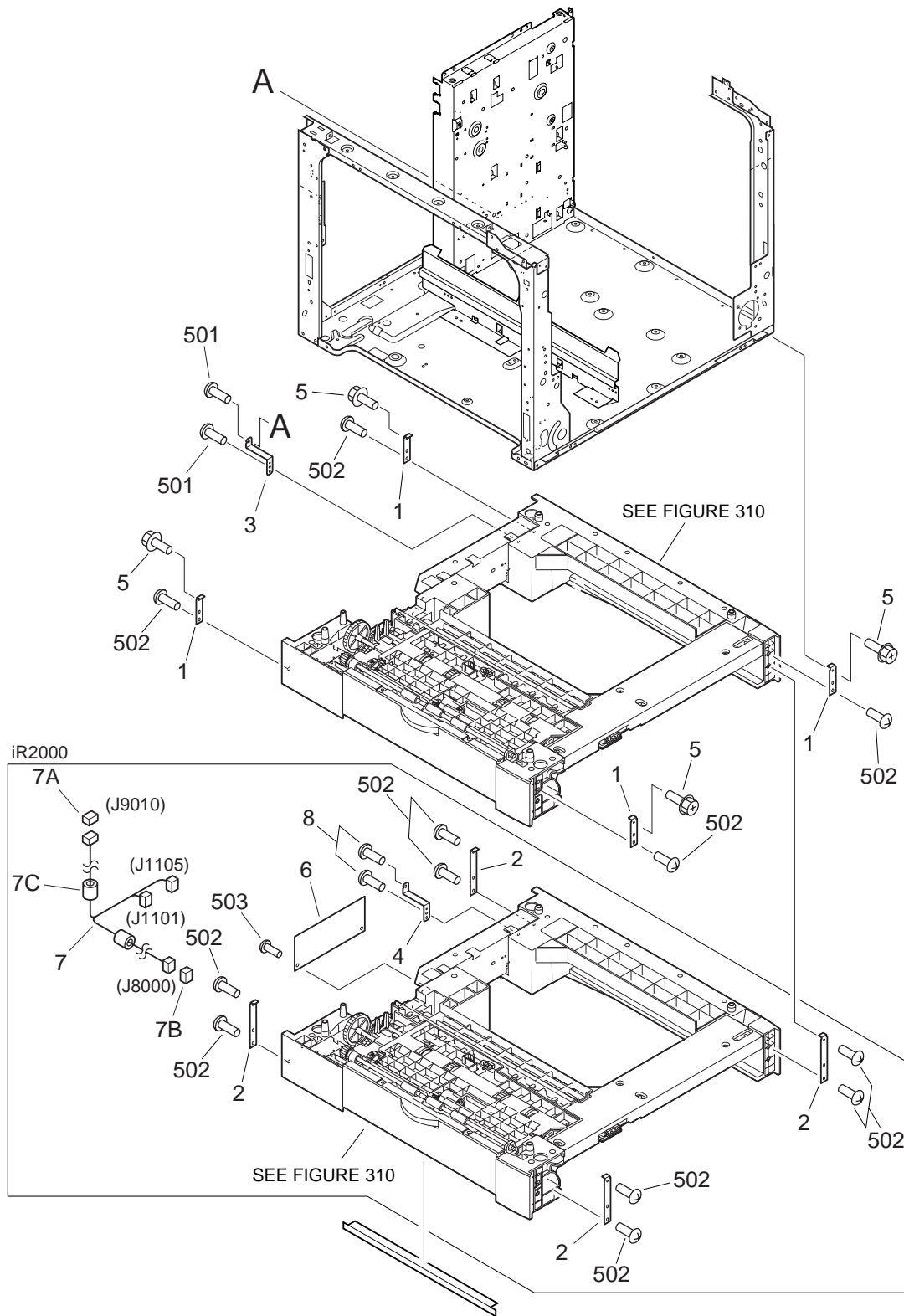


FIGURE & KEY NO.	PART NUMBER	R A N K	Q' T Y	DESCRIPTION	SERIAL NUMBER / REMARKS
105 -	NPN		RF	INTERNAL COMPONENTS 4	
1	FB6-1606-000		4	PLATE, CONNECTING	
2	FB6-1906-000		4	PLATE, FEEDER CONNECTOR	IR2000
3	FB6-1912-000		1	PLATE, GROUNDING	
4	FB6-1913-000		1	PLATE, GROUNDING	IR2000
5	XA9-0629-000		4	SCREW,RS,M4X8	
6	FG6-8647-000		1	FEEDER DRIVER PCB ASSEMBLY	IR2000
7	FG6-8491-000		1	CABLE, PAPER FEEDER, 1	IR2000 J1101,1105,8000,9010
7A	VS1-5057-011		1	CONNECTOR, SNAP TIGHT	IR2000 J9010
7B	VS1-5057-013		1	CONNECTOR, SNAP TIGHT	IR2000 J8000
7C	WE8-0051-000		1	FERRITE CORE ESD-R-19D	IR2000
8	XA9-0385-000		2	SCREW,W/WASHER,M3X6	IR2000
501	XB2-7300-607		2	SCREW,W/WASHER,M3X6	
502	XB4-5401-007		AR	SCREW, M4X10	
503	XB2-8300-806		2	SCREW,W/WASHER,M3X8	IR2000

FIGURE 106 MACHINE REAR PLATE

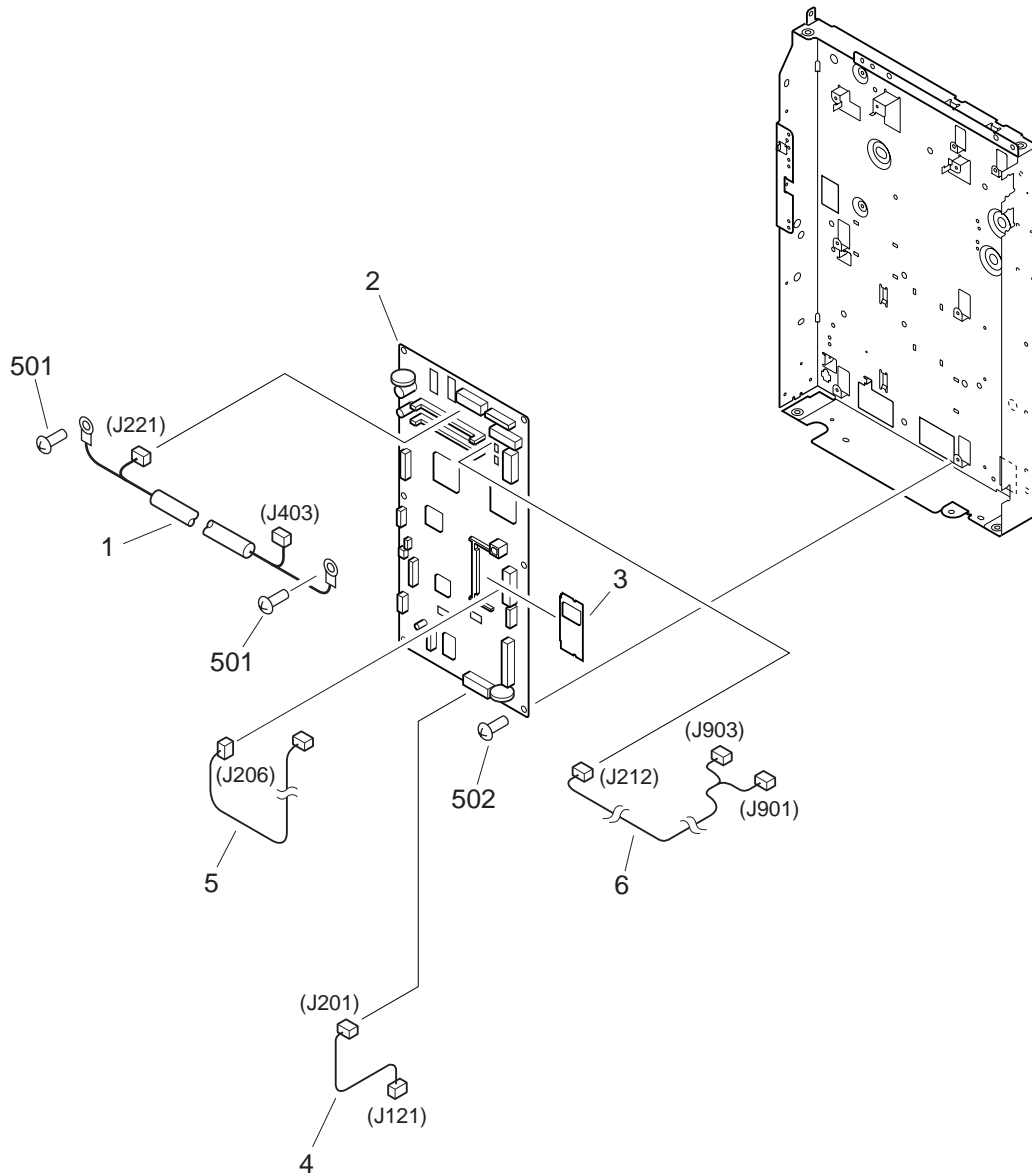


FIGURE 130 CONTROL PANEL ASSEMBLY

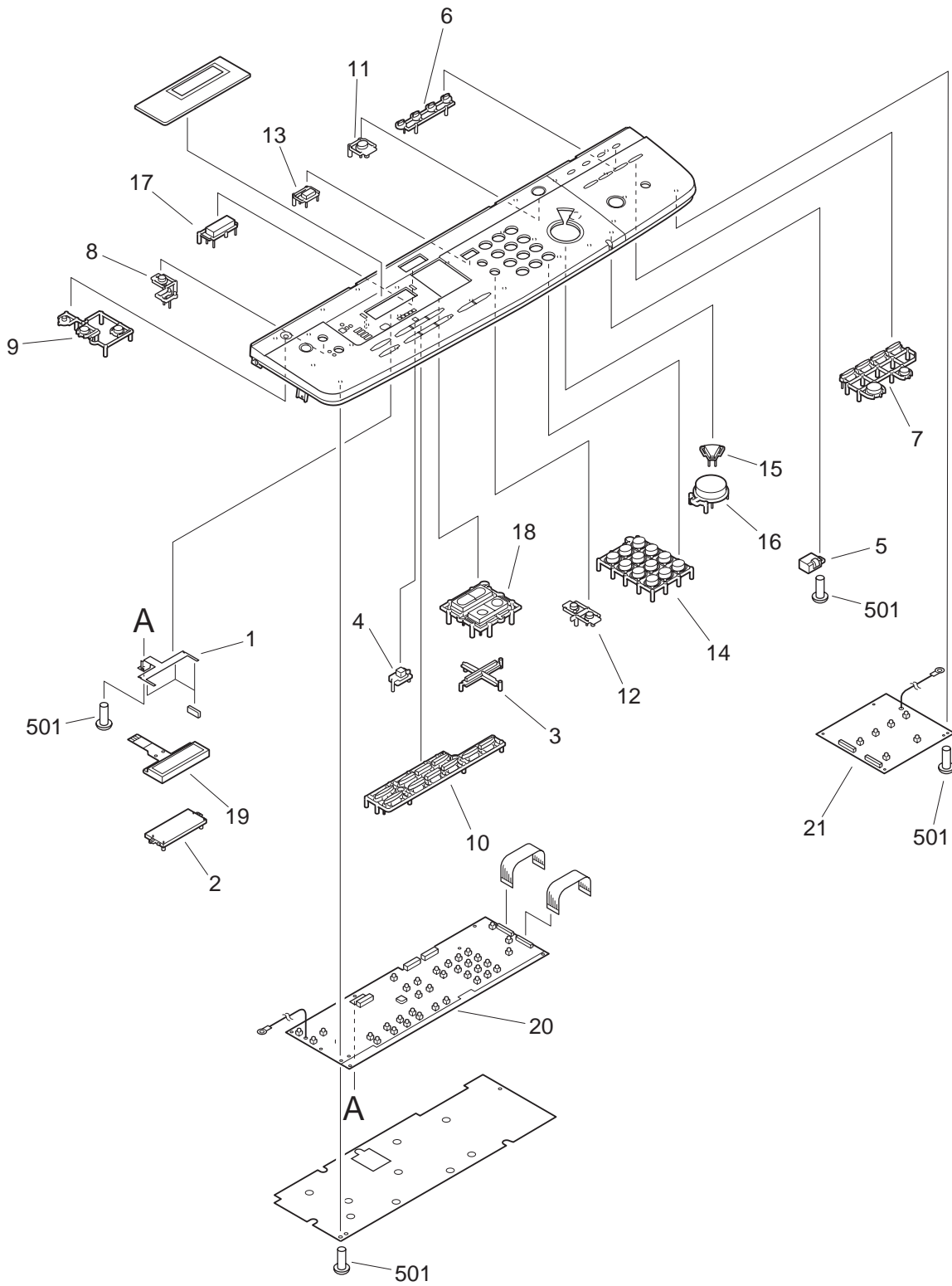


FIGURE & KEY NO.	PART NUMBER	R A N K	Q' T Y	DESCRIPTION	SERIAL NUMBER / REMARKS
130 -	FG6-8208-000		1	CONTROL PANEL ASSEMBLY	GERMAN
	FG6-8209-000		1	CONTROL PANEL ASSEMBLY	FRENCH
	FG6-8210-000		1	CONTROL PANEL ASSEMBLY	ITALIAN
	FG6-8211-000		1	CONTROL PANEL ASSEMBLY	ENGLISH
	FG6-8421-000		1	CONTROL PANEL ASSEMBLY	ILLUSTRATION
1	FB6-2081-000		1	PLATE, GROUNDING	
2	FB6-2082-000		1	BRACKET, LCD	
3	FB6-2084-000		1	SUPPORT, KEY	
4	FB6-2085-000		1	COVER, AUTO DENSITY LAMP	
5	FB6-2086-000		1	COVER, PILOT LAMP	
6	FB6-2087-000		1	COVER, ONLINE LAMP	
7	FB6-2088-000		1	KEY TOP, MENU	
8	FB6-2089-000		1	KEY TOP, APPLICATION	
9	FB6-2090-000		1	KEY TOP, COUNTER	
10	FB6-2092-000		1	KEY TOP, ZOOM	
11	FB6-2094-000		1	KEY TOP, ENERGY SAVE	
12	FB6-2095-000		1	KEY TOP, MODE	
13	FB6-2096-000		1	KEY TOP, RESET	
14	FB6-2097-000		1	KEY TOP, NUMBER	
15	FB6-2098-000		1	KEY TOP, STOP	
16	FB6-2099-000		1	KEY TOP, COPY	
17	FB6-2091-000		1	KEY TOP, EXTENSION	ILLUSTRATION
	FB6-2130-000		1	KEY TOP, EXTENSION	GERMAN
	FB6-2131-000		1	KEY TOP, EXTENSION	FRENCH
	FB6-2132-000		1	KEY TOP, EXTENSION	ITALIAN
18	FB6-2133-000		1	KEY TOP, EXTENSION	ENGLISH
	FB6-2093-000		1	KEY TOP, OK	ILLUSTRATION
	FB6-2121-000		1	KEY TOP, OK	ENGLISH
	FB6-2134-000		1	KEY TOP, OK	GERMAN
	FB6-2135-000		1	KEY TOP, OK	FRENCH

FIGURE 160 COPYBOARD COVER ASSEMBLY

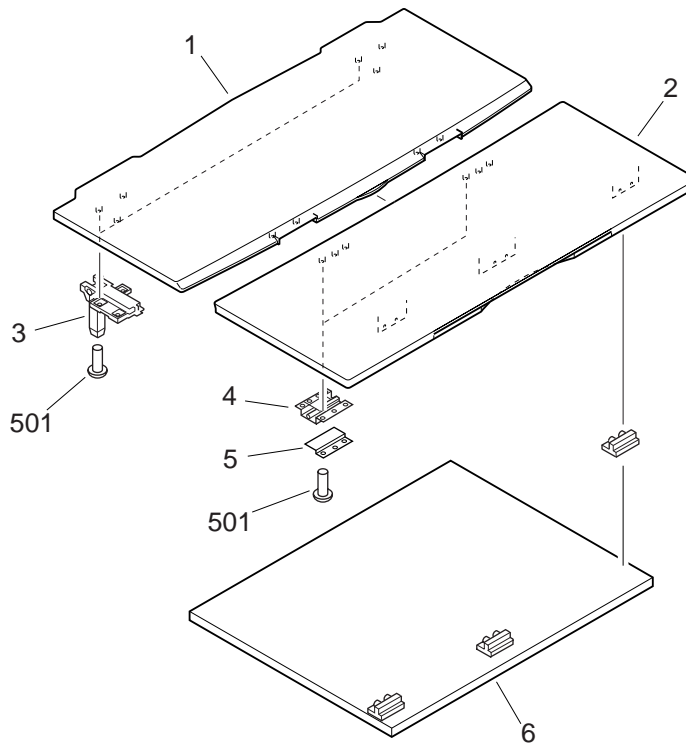


FIGURE & KEY NO.	PART NUMBER	RANK	QTY	DESCRIPTION	SERIAL NUMBER / REMARKS
160 -	FG6-8266-000		1	COPYBOARD COVER ASSEMBLY	
1	FB6-1331-000		1	COVER, COPYBOARD, REAR	
2	FB6-1332-000		1	COVER, COPYBOARD, FRONT	
3	FB6-1278-000		2	HINGE, COPYBOARD COVER	
4	FE5-3634-000		2	PLATE, HINGE	
5	FE5-4380-000		2	PLATE, ANGLE ADJUSTMENT	
6	FL5-0550-000		1	COPYBOARD CUSHION UNIT	
501	XB4-7401-009		AR	SCREW, TAPPING, TRUSS HEAD, M4X10	

FIGURE 210 READER ASSEMBLY

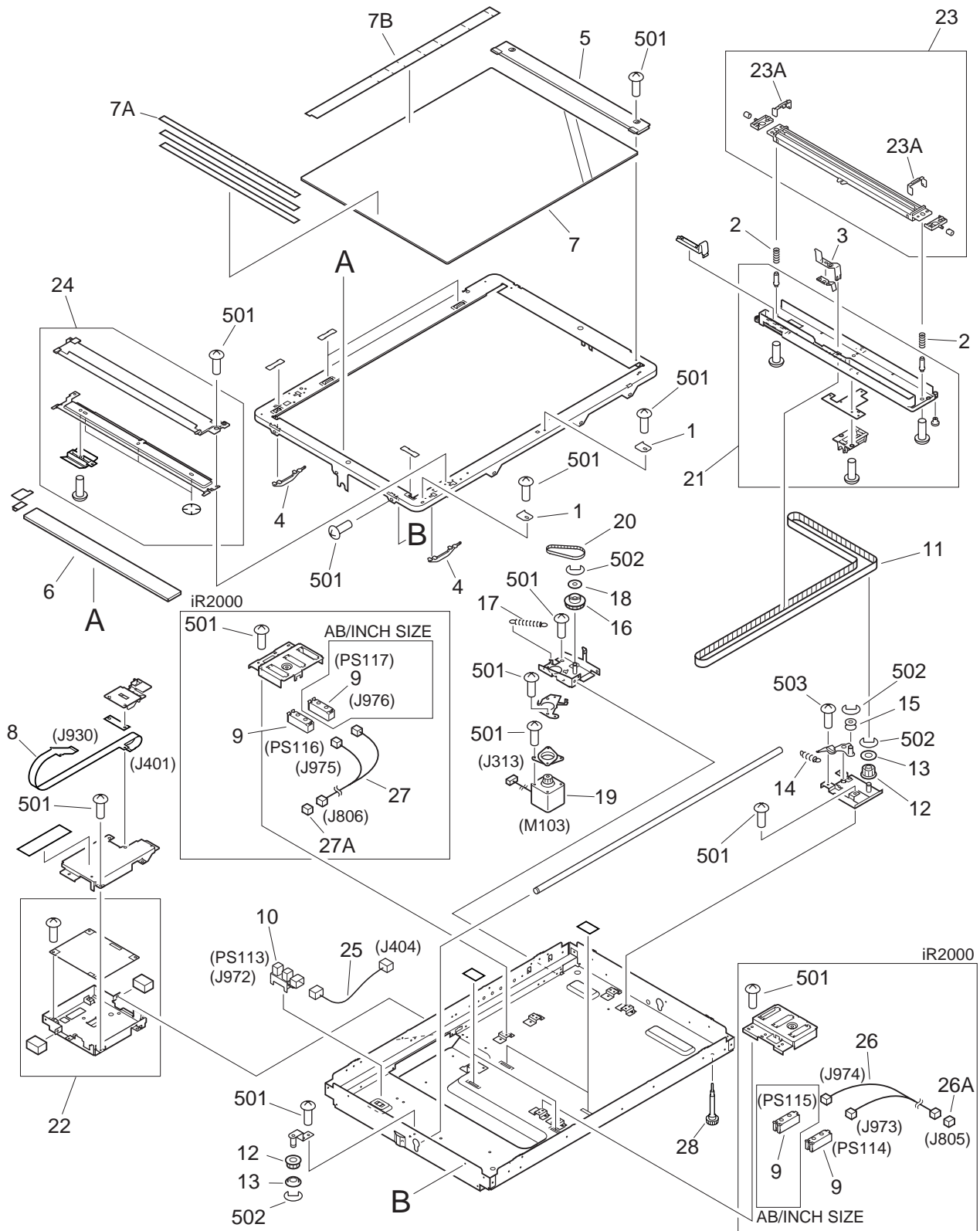


FIGURE & KEY NO.	PART NUMBER	RANK	QTY	DESCRIPTION	SERIAL NUMBER / REMARKS
210 -	NPN		RF	READER ASSEMBLY	
1	FB6-1305-000		2	PLATE, GLASS	
2	FB6-1324-000		2	SPRING, COMPRESSION	
3	FB6-1325-000		1	HOLDER, BELT	
4	FB6-1329-000		2	GUIDE, CS	
5	FB6-1340-000		1	SUPPORT, GLASS, RIGHT	
6	FF6-1742-000		1	GLASS, READER	
7	FF6-1727-000		1	GLASS, COPYBOARD	A SIZE
	FF6-1728-000		1	GLASS, COPYBOARD	AB/INCH SIZE
7A	FB6-1239-000		1	PLATE, WIDTH INDEX	A SIZE
	FB6-1240-000		1	PLATE, WIDTH INDEX	AB/INCH SIZE
7B	FB6-1236-000		1	PLATE, LENGTH INDEX	A SIZE
	FB6-1237-000		1	PLATE, LENGTH INDEX	AB/INCH SIZE
8	FF6-1759-000		1	CABLE, FLAT	J401,930
9	FH7-7569-000		2	DOCUMENT SIZE SENSOR UNIT	IR2000 A SIZE PS114,116 J973,975
	FH7-7569-000		4	DOCUMENT SIZE SENSOR UNIT	IR2000 AB/INCH SIZE PS114-117 J973-976
10	WG8-5362-000		1	IC, TLP1241, PHOTO-INTERRUPTER	PS113 J972
11	XF9-0728-000		1	BELT, TIMING	
12	FB6-1357-000		2	PULLEY, IDLER	
13	FB6-1358-000		2	FLANGE	
14	FB6-1320-000		1	SPRING, TENSION	
15	FB6-1321-000		1	PULLEY, TENSION	
16	FB6-1313-000		1	PULLEY, 24T/41T	
17	FB6-1316-000		1	SPRING, TENSION	
18	FB6-1339-000		1	FLANGE	
19	FH6-1948-000		1	MOTOR, STEPPING, DC	M103 J313
20	XF9-0355-000		1	BELT, TIMING	
21	FG6-8259-000		1	CARRIAGE UNIT	
22	FG6-8261-000		1	ANALOG PROCESSOR PCB ASSEMBLY	
23	FG6-8359-000		1	CS UNIT	

FIGURE & KEY NO.	PART NUMBER	RANK	QTY	DESCRIPTION	SERIAL NUMBER / REMARKS
210 - 23A	FB6-1323-000		2	SPACER	
24	FG6-8360-000		1	MOUNT, JUMP	
25	FG6-8458-000		1	CABLE, HOME POSITION SENSOR	J404,972
26	FG6-8462-000		1	CABLE, DOCUMENT SIZE, FRONT	IR2000 J805,973,974
26A	VS1-6492-006		1	CONNECTOR, SNAP TIGHT	IR2000 J805
27	FG6-8463-000		1	CABLE, DOCUMENT SIZE, REAR	IR2000 J806,975,976
27A	VS1-6492-006		1	CONNECTOR, SNAP TIGHT	IR2000 J806
28	FB6-2077-000		1	SCREW, STEPPED, M4	
501	XB1-2300-407		AR	SCREW, MACH., TRUSS HEAD, M3X4	
502	XD2-1100-502		4	RING, E	
503	XB6-7300-607		1	SCREW, TP, M3X6	

FIGURE 260 PRINTER DRIVE ASSEMBLY

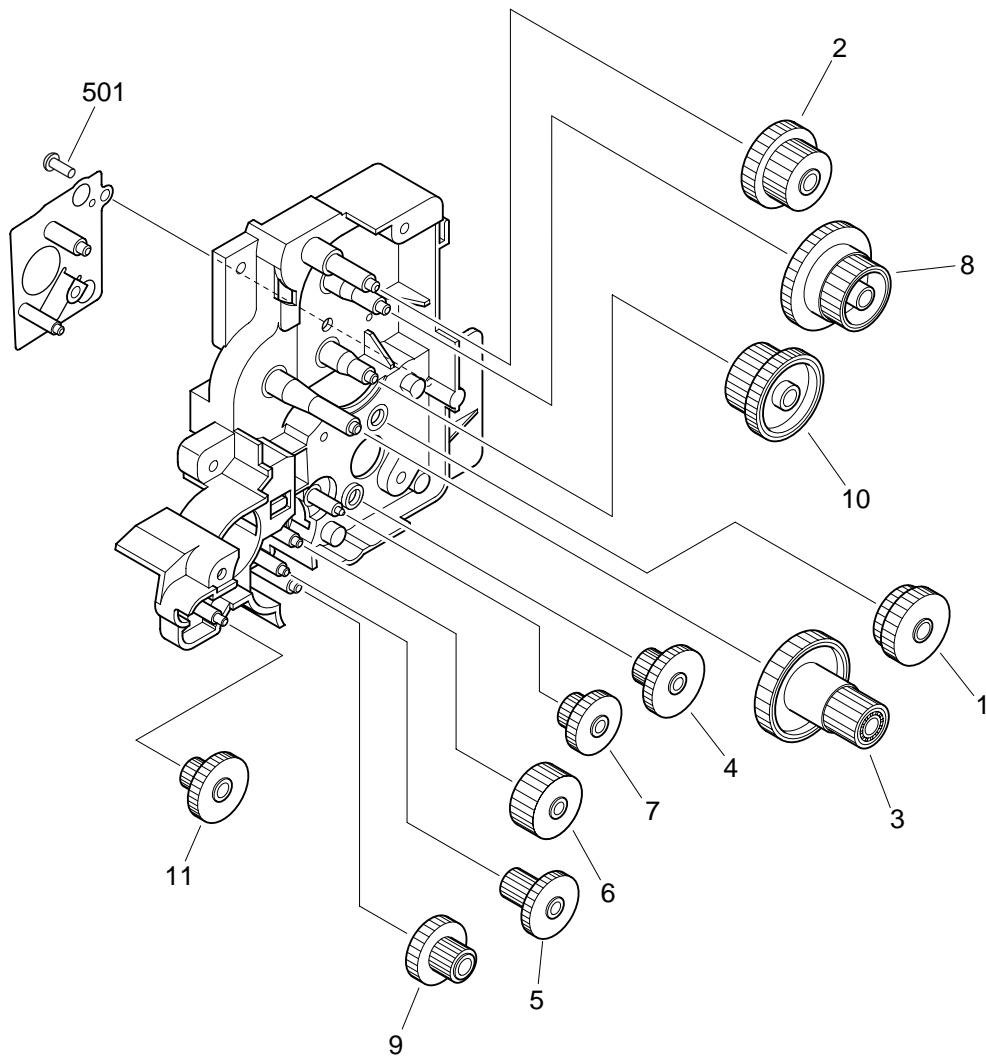


FIGURE & KEY NO.	PART NUMBER	R A N K	Q' T Y	DESCRIPTION	SERIAL NUMBER / REMARKS
260 -	NPN		RF	PRINTER DRIVE ASSEMBLY	
1	FS7-0970-000		1	GEAR, 32T/62T	
2	FS7-0977-000		1	GEAR, 26T/36T	
3	FU3-0122-000		1	GEAR, 18T/44T	
4	FU3-0123-000		1	GEAR, 17T/58T	
5	FU3-0124-000		1	GEAR, 14T/35T	
6	FU3-0125-000		1	GEAR, 33T	
7	FU3-0126-000		1	GEAR, 17T/31T	
8	FU3-0127-000		1	GEAR, 29T/44T	
9	FU3-0128-000		1	GEAR, 17T/22T	
10	FU3-0129-000		1	GEAR, 27T/46T	
11	FU3-0130-000		1	GEAR, 15T/36T	
501	XB4-7401-205		1	SCREW,TAPPING,TRUSS HEAD,M4X12	

FIGURE 300 CASSETTE

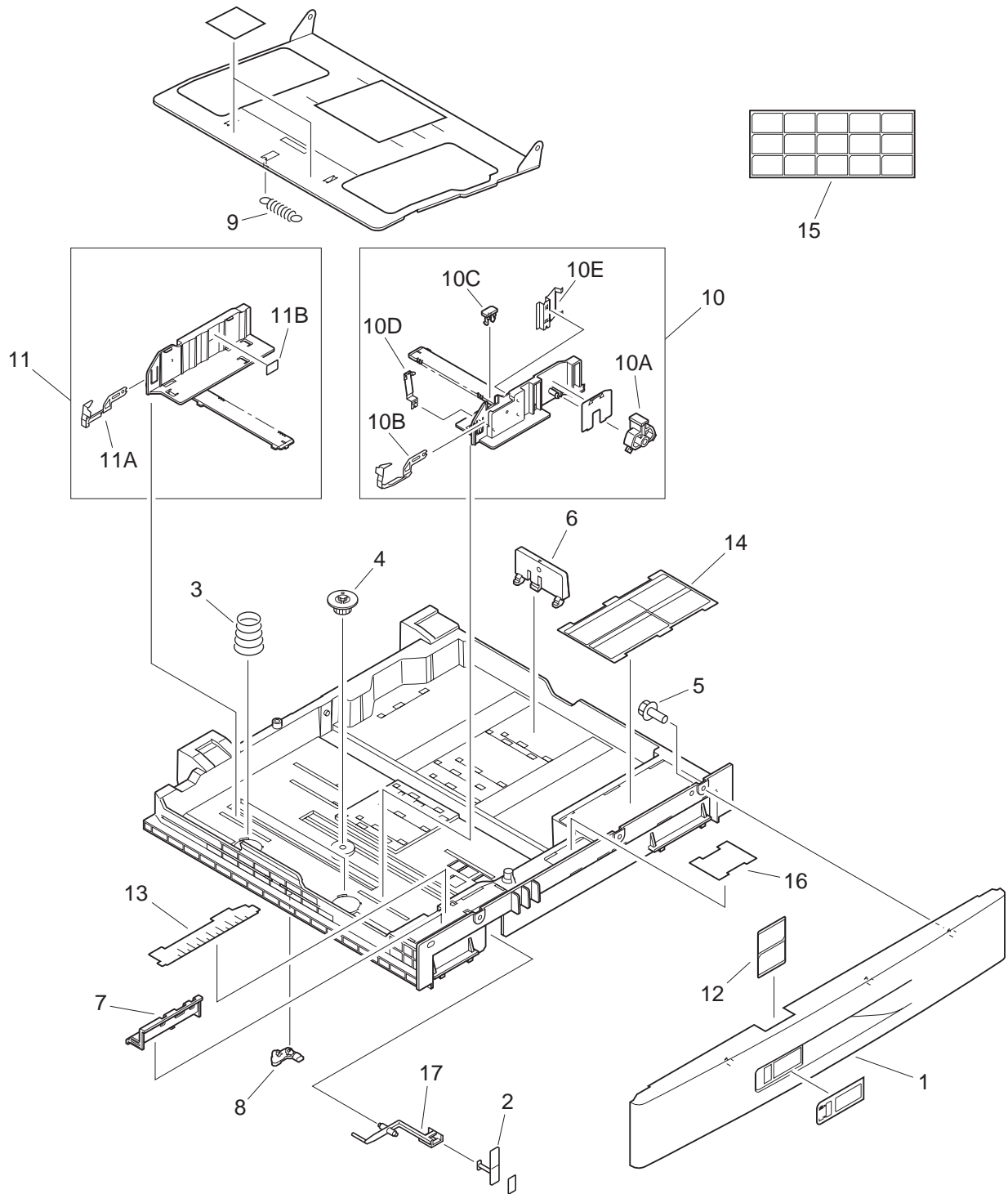


FIGURE & KEY NO.	PART NUMBER	R A N K	Q' T Y	DESCRIPTION	SERIAL NUMBER / REMARKS
300 -	NPN		RF	CASSETTE	
1	FF6-1750-000		1	PANEL, FRONT	
2	FF6-1751-000		1	LEVER, PAPER SENSOR	
3	FB6-2000-000		2	SPRING, COMPRESSION	
4	FS7-0207-000		1	GEAR, 20T	
5	XA9-0605-000		3	SCREW,P,M4X8	
6	FB4-5814-000		1	PLATE, SIZE, REAR	
7	FB6-1640-000		1	LEVER, PAPER SIZE	
8	FB6-1644-000		1	LOCK, PAPER LIFTING PLATE	
9	FS6-2917-000		1	SPRING, TENSION	
10	FG6-8448-000		1	GUIDE, SIDE PAPER END, FRONT	
10A	FB4-5809-020		1	LEVER, LOCK	
10B	FB4-5813-000		1	PLATE, HOLD-DOWN TAB	
10C	FB4-5810-000		1	PLATE, PAPER CONTACT	
10D	FB6-1646-000		1	SPRING, LEAF	
10E	FB6-1649-000		1	SPRING, LEAF	
11	FG6-8449-000		1	GUIDE, SIDE PAPER END, REAR	
11A	FB4-5808-000		1	PLATE, HOLD-DOWN TAB	
11B	FB4-5824-000		1	LABEL	
12	FB6-1654-000		1	PLATE, CASSETTE PAPER SIZE	
13	FB6-1657-000		1	LABEL, "PAPER SIZE SETTING"	
14	FB6-1658-000		1	LABEL, "PAPER SUPPLY"	
15	FB6-1656-000		1	LABEL, CASSETTE SIZE	IR1600
	FB6-1656-000		2	LABEL, CASSETTE SIZE	IR2000
16	FB6-1659-000		1	LABEL, "WARNING"	IR1600
	FB6-1659-000		2	LABEL, "WARNING"	IR2000
17	FB6-1648-000		1	LEVER, PAPER SENSOR	

FIGURE 310 CASSETTE FEEDER ASSEMBLY

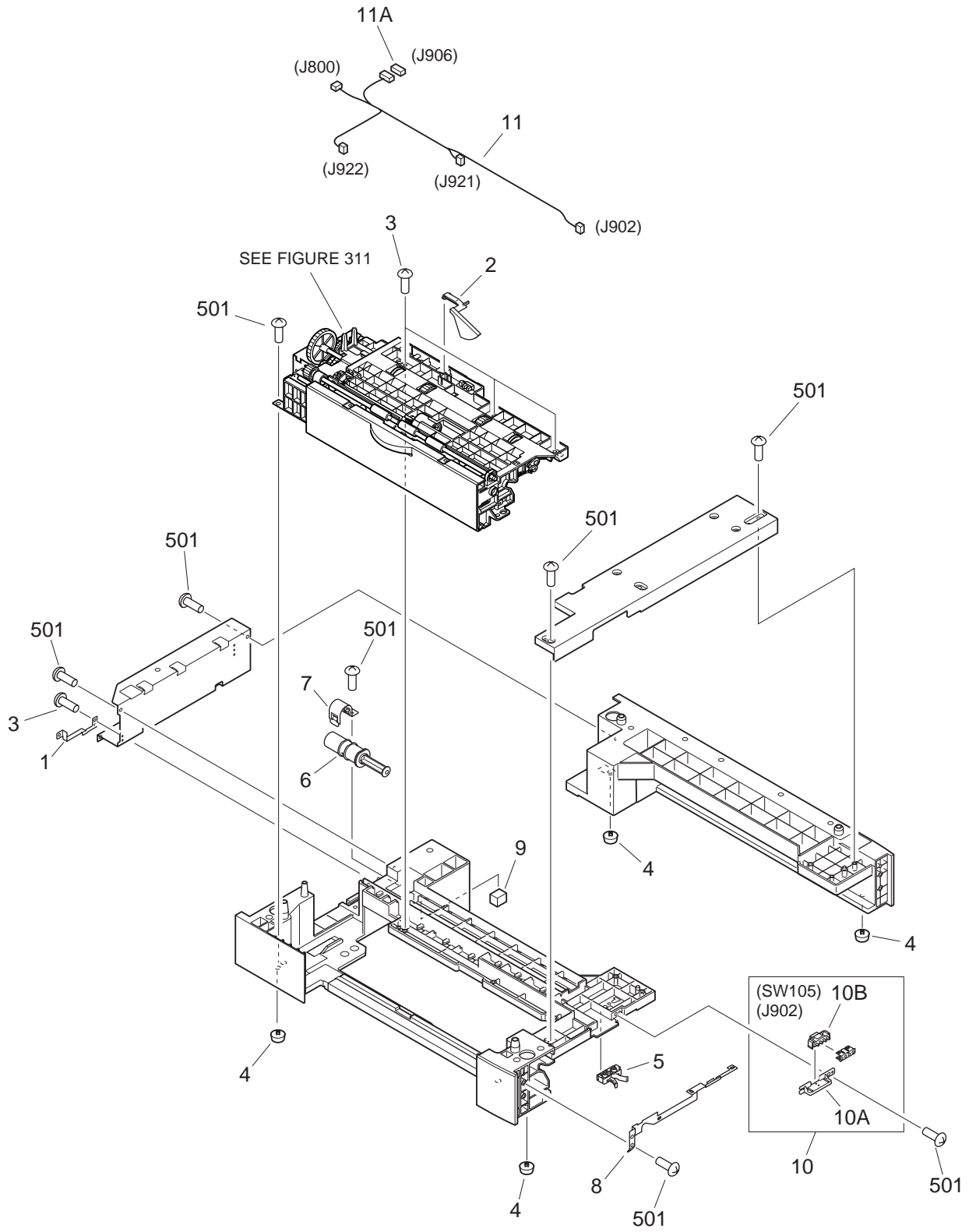
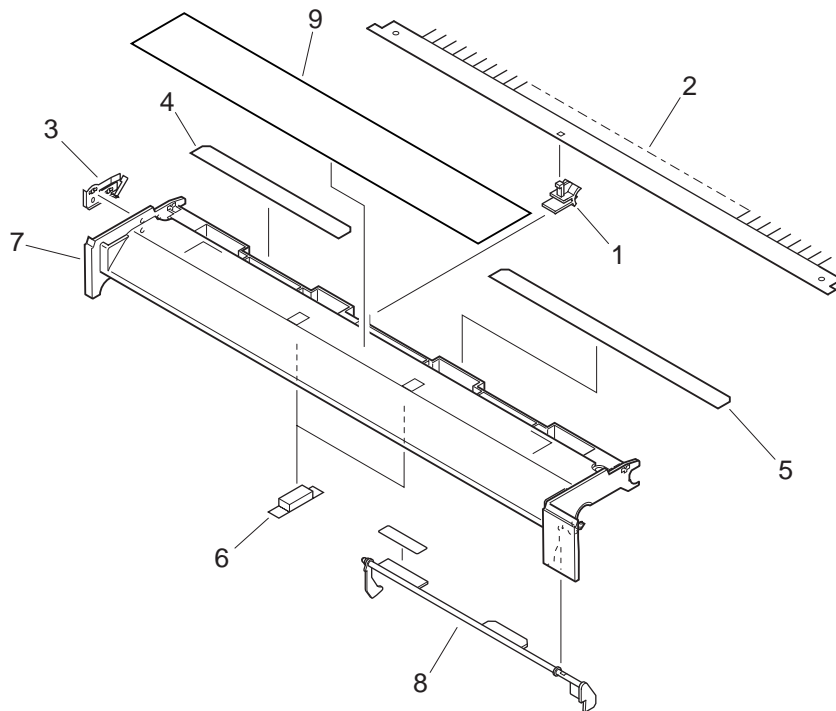


FIGURE & KEY NO.	PART NUMBER	RANK	QTY	DESCRIPTION	SERIAL NUMBER / REMARKS
310 -	NPN		RF	CASSETTE FEEDER ASSEMBLY	
1	FB6-1605-000		1	PLATE, GROUNDING	
2	FB6-1625-000		1	ARM, PAPER SENSOR	
3	XA9-0385-000		4	SCREW, W/WASHER, M3X6	
4	XH9-0127-000		4	FOOT, RUBBER	
5	FB4-5512-030		1	BLOCK, POSITIONING	
6	FB4-5532-000		1	CASSETTE DAMPER UNIT	
7	FB6-1608-000		1	HOLDER, DAMPER	
8	FB6-1917-000		1	PLATE, GROUNDING	
9	FB6-1974-000		1	FOOT, RUBBER	
10	FG6-8440-000		1	SIZE SENSOR UNIT	
10A	FB6-1910-000		1	MOUNT, SIZE SENSOR	
10B	WC2-5332-000		1	SWITCH, CASSETTE SIZE	SW105 J902
11	FG6-8482-000		1	CABLE, CASSETTE	J800,902,906,921,922
11A	VS1-5057-002		1	CONNECTOR, SNAP TIGHT	J906
501	XB4-5401-007		AR	SCREW, M4X10	

FIGURE & KEY NO.	PART NUMBER	RANK	QTY	DESCRIPTION	SERIAL NUMBER / REMARKS
311 -	FG6-8442-000		1	PAPER PICK-UP ASSEMBLY	
1	FB6-1615-000		1	PLATE, GROUNDING	
2	FB6-1616-000		1	GUIDE, VERTICAL PATH	
3	FB6-1626-000		1	LEVER, COUPLING	
4	FB6-1627-000		1	SPRING, TORSION	
5	FB6-1628-000		1	PLATE, GROUNDING	
6	FB6-1632-000		1	GEAR, 16T/34T	
7	FB6-1633-000		1	GEAR, 27T/50T	
8	FB6-1634-000		1	GEAR, 29T	
9	FB6-1636-000		1	GEAR, 39T	
10	FB6-1660-000		1	CAM	
11	FB6-1905-000		1	GEAR, 14T	
12	FB6-1909-000		1	BUSHING	
13	FH6-5044-000		1	SOLENOID	SL151 J906
14	FS1-1205-000		1	BUSHING	
15	FS5-1854-000		1	BUSHING	
16	FS6-2915-000		1	SPRING, TENSION	
17	FS7-0225-000		1	GEAR, 53T	
18	FS7-0226-000		1	GEAR, 36T	
19	FS7-0227-000		1	GEAR, 21T/33T/22T	
20	FS7-0228-000		1	GEAR, 31T	
21	FS7-0229-000		1	GEAR, 18T	
22	FS7-0230-000		1	GEAR, 27T	
23	RB1-2190-000		1	COLLAR, SPRING	
24	RB1-8945-000		1	JOINT	
25	RF5-2634-000		2	ROLLER, SEPARATION	
26	RS1-1016-000		5	BUSHING	
27	WG8-5362-000		2	IC, TLP1241, PHOTO-INTERRUPTER	PS151,152 J921,922
28	FB6-1613-000		1	ROLLER, VERTICAL PATH	
29	FB4-5669-000		2	ROLLER	

FIGURE & KEY NO.	PART NUMBER	R A N K	Q' T Y	DESCRIPTION	SERIAL NUMBER / REMARKS
311 - 30	FB4-9817-030		2	ROLLER, PICK-UP	
31	FE5-4048-000		2	BLOCK, PICK-UP ROLLER ADAPTER	
32	FB4-5672-000		2	PAWL, LOCK	
33	FB6-1614-000		1	PLATE, GROUNDING	
34	FB6-1623-000		1	ARM, FEED SENSOR	
35	FB6-1624-000		1	SPRING, TORSION	
36	FS6-2919-000		2	SPRING, TENSION	
37	RB1-6179-000		2	BUSHING, RIGHT	
38	FB6-1907-000		1	LEVER, RELEASE	
39	FB6-1908-000		1	CAP	
40	FS1-9009-000		1	SCREW, STEPPED, M3	
41	RB2-3320-000		1	LIMITER, TORQUE	
42	FB6-1902-000		1	SPRING, TORSION	
43	FF6-1610-000		1	HOLDER, SEPARATION ROLLER	
44	FB4-5671-000		1	MOUNT, ROLLER	
45	FB6-1629-000		1	PANEL, VERTICAL PATH	
46	FB6-1920-000		2	SPRING, COMPRESSION	
47	RB1-8922-000		2	ROLLER	
48	FB6-1996-000		2	ROLLER, VERTICAL PATH	
49	FB6-1997-000		4	SPRING, COMPRESSION	
501	XB4-7400-809		3	SCREW, TAPPING, TRUSS HEAD, M4X8	
502	XB6-7300-609		1	SCREW, TP, M3X6	
503	XD2-1100-502		6	RING, E	
504	XD2-1100-242		1	RING, E	
505	XD3-1200-122		2	PIN, SPRING	
506	XB1-2400-607		2	SCREW, MACH., TRUSS HEAD, M4X6	
507	XD1-1106-235		8	SHIM	
508	XB2-7300-607		2	SCREW, W/WASHER, M3X6	
509	XB4-7401-005		3	SCREW, TAPPING, TRUSS HEAD, M4X10	

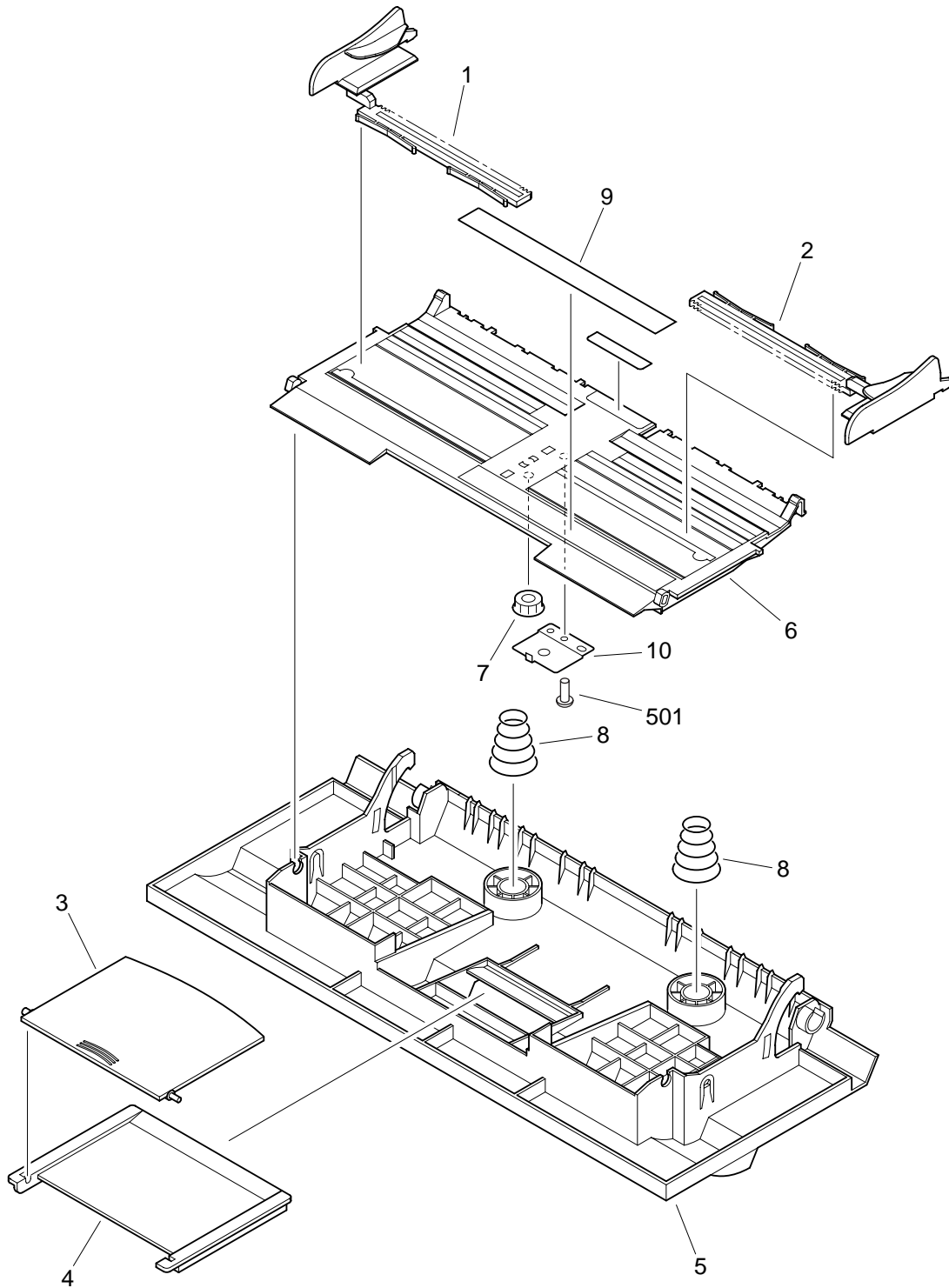
FIGURE 312 PICK-UP GUIDE ASSEMBLY



NOTE : This assembly does not include the part shown with key No. 9.

FIGURE & KEY NO.	PART NUMBER	RANK	QTY	DESCRIPTION	SERIAL NUMBER / REMARKS
312 -	FG6-8308-000		1	PICK-UP GUIDE ASSEMBLY	
1	FB5-8026-000		1	BUSHING	
2	FB5-8027-000		1	ELIMINATOR,STATIC CHARGE	
3	FB5-8040-000		1	PLATE, GROUNDING	
4	FB5-8166-000		1	SHEET, PICK-UP GUIDE, 1	
5	FB5-8167-000		1	SHEET, PICK-UP GUIDE, 2	
6	FB6-1466-000		2	CUSHION, PICK-UP GUIDE	
7	FB6-1430-000		1	GUIDE, MULTI-PURPOSE PICK-UP	
8	FF6-0970-000		1	FLAG, SENSOR	
9	FB6-1979-000		1	LABEL, "ROLLER CAUTION"	SEE NOTE

FIGURE 315 MULTI-PURPOSE TRAY ASSEMBLY



NOTE : This assembly does not include the part shown with key No. 9.

FIGURE & KEY NO.	PART NUMBER	R A N K	Q' T Y	DESCRIPTION	SERIAL NUMBER / REMARKS
315 -	FG6-8309-000		1	MULTI-PURPOSE TRAY ASSEMBLY	
1	FB5-8036-000		1	GUIDE, SIDE PAPER END, LEFT	
2	FB5-8037-000		1	GUIDE, SIDE PAPER END, RIGHT	
3	FB5-8038-000		1	TRAY, SUB, 1	
4	FB5-8039-000		1	TRAY, SUB, 2	
5	FB6-1431-000		1	PANEL, MULTI-PURPOSE TRAY	
6	FF6-1732-000		1	TRAY, MULTI-PURPOSE	
7	FS7-0980-000		1	GEAR, 16T	
8	FS7-2712-000		2	SPRING, COMPRESSON	
9	FB6-1971-000		1	LABEL, MULTI-PURPOSE SIZE	SEE NOTE A SIZE
	FB6-1973-000		1	LABEL, MULTI-PURPOSE SIZE	SEE NOTE AB/INCH SIZE
10	FB6-1462-000		1	SUPPORT, GEAR	
501	XB4-5300-609		1	SCREW,P,M3X6	

FIGURE 640

DEVELOPING ASSEMBLY

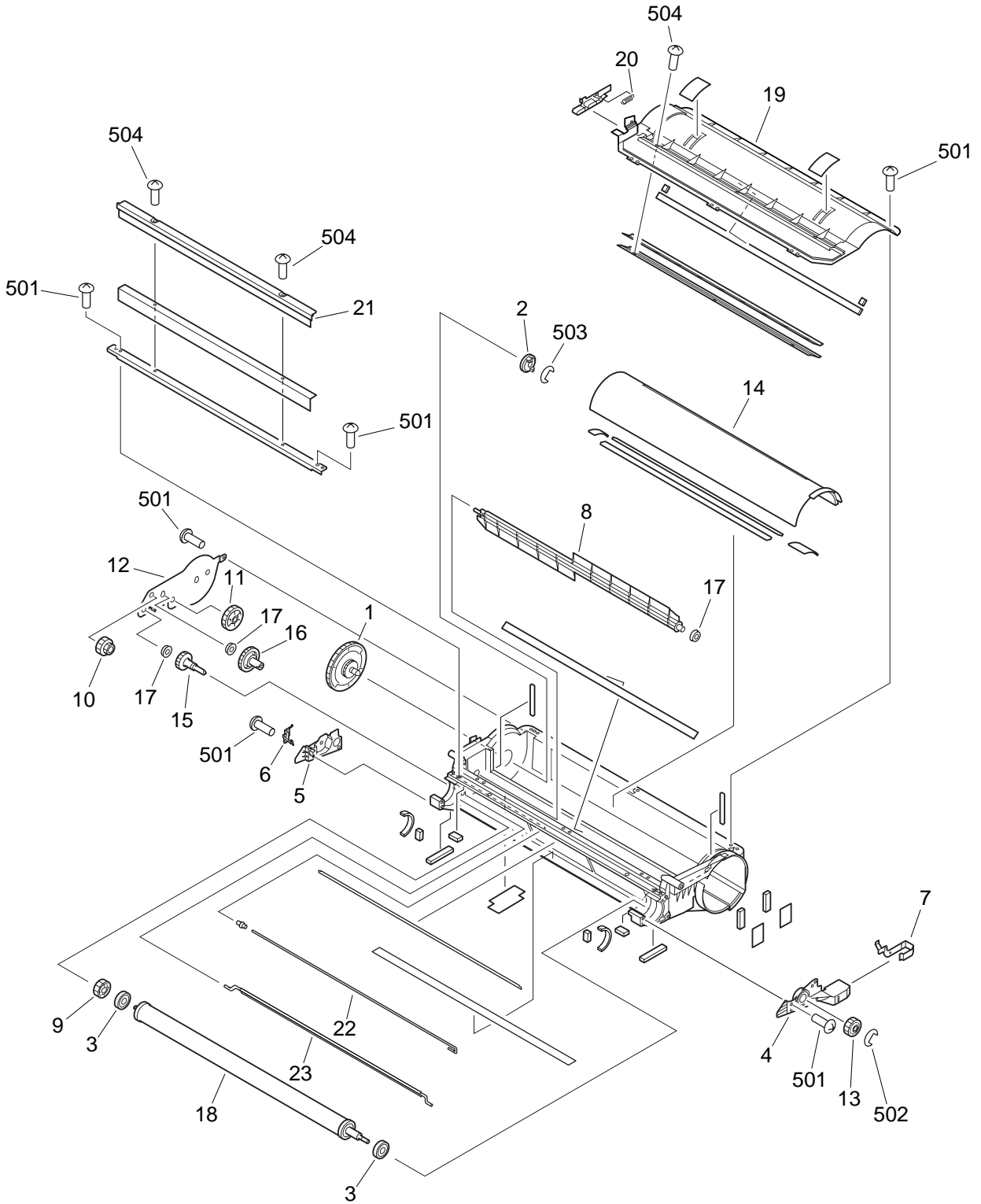


FIGURE & KEY NO.	PART NUMBER	R A N K	Q' T Y	DESCRIPTION	SERIAL NUMBER / REMARKS
640 -	FG6-8413-000		1	DEVELOPING ASSEMBLY	
1	FB6-2008-000		1	GEAR, 70T	
2	FB6-2009-000		1	COUPLING	
3	FB6-2016-000		2	ROLLER	
4	FB6-2017-000		1	PLATE, SLEEVE POSITION, FRONT	
5	FB6-2018-000		1	PLATE, SLEEVE POSITION, REAR	
6	FB6-2019-000		1	PLATE, BIAS	
7	FB6-2020-000		1	PLATE, BIAS	
8	FB6-2021-000		1	STIRRER, TONER	
9	FB6-2024-000		1	GEAR, 20T	
10	FB6-2026-000		1	GEAR, 14T/18T	
11	FB6-2028-000		1	GEAR, 32T	
12	FB6-2034-000		1	PLATE, GEAR POSITIONING	
13	FB6-2037-000		1	GEAR, 21T	
14	FF6-1734-000		1	SHUTTER	
15	FF6-1736-000		1	GEAR, 21T	
16	FF6-1737-000		1	GEAR, 14T/33T	
17	FS5-1438-000		3	BUSHING	
18	FG6-8414-000		1	DEVELOPING CYLINDER UNIT	
19	FB6-2012-000		1	COVER, DEVELOPING	
20	FB6-2039-000		1	SPRING, TENSION	
21	FB6-2022-000		1	BLADE	
22	FB5-7940-000		1	SHAFT	
23	FB5-7941-000		1	ROD, STIRRING	
501	XB4-7300-809		AR	SCREW,TAPPING,TRUSS HEAD,M3X8	
502	XD2-1100-322		1	RING,E	
503	XD2-1100-502		1	RING,E	
504	XB1-2300-609		5	SCREW,MACH.,TRUSS HEAD,M3X6	

FIGURE 810 FIXING ASSEMBLY (1/2)

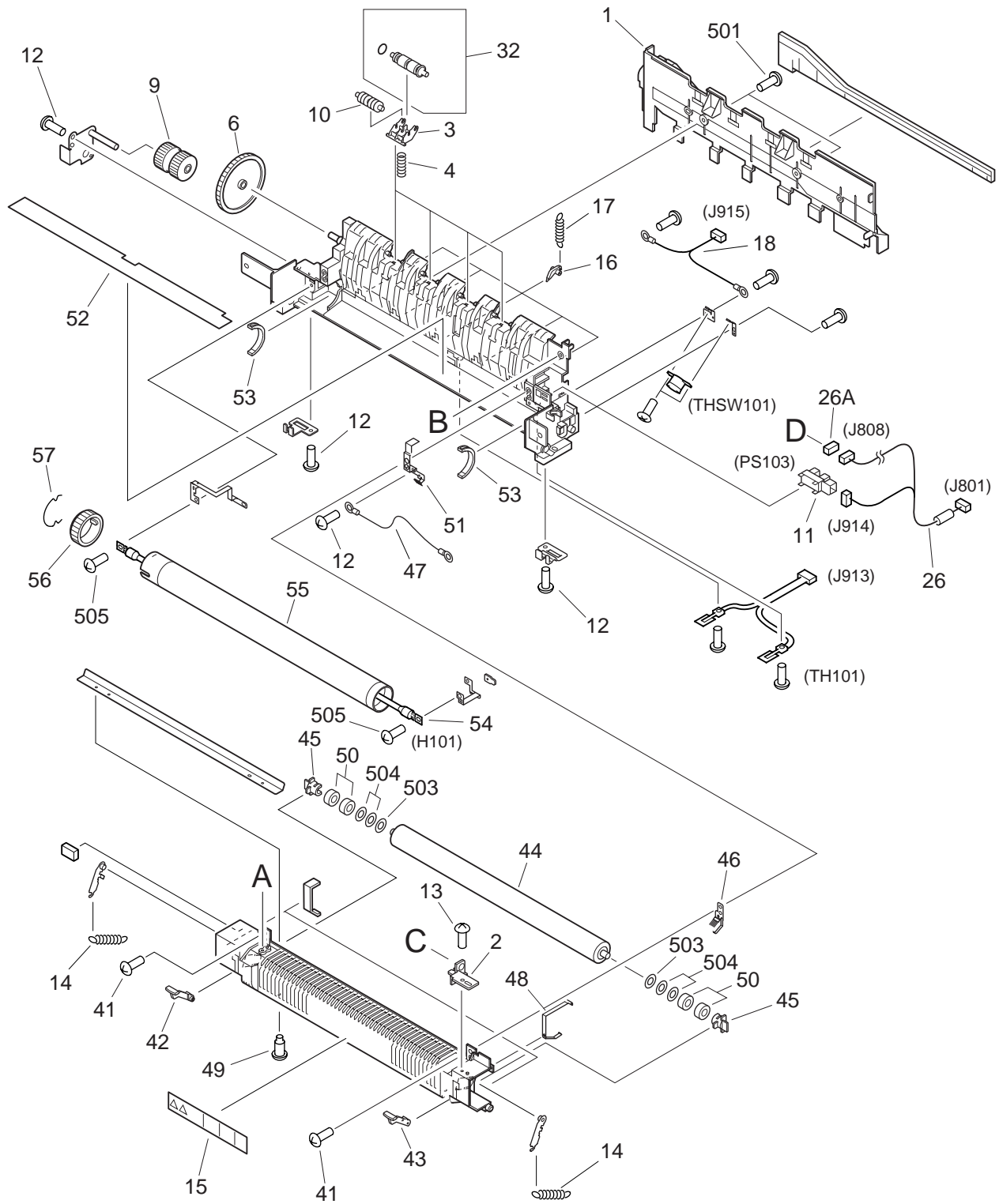


FIGURE 810 FIXING ASSEMBLY (2/2)

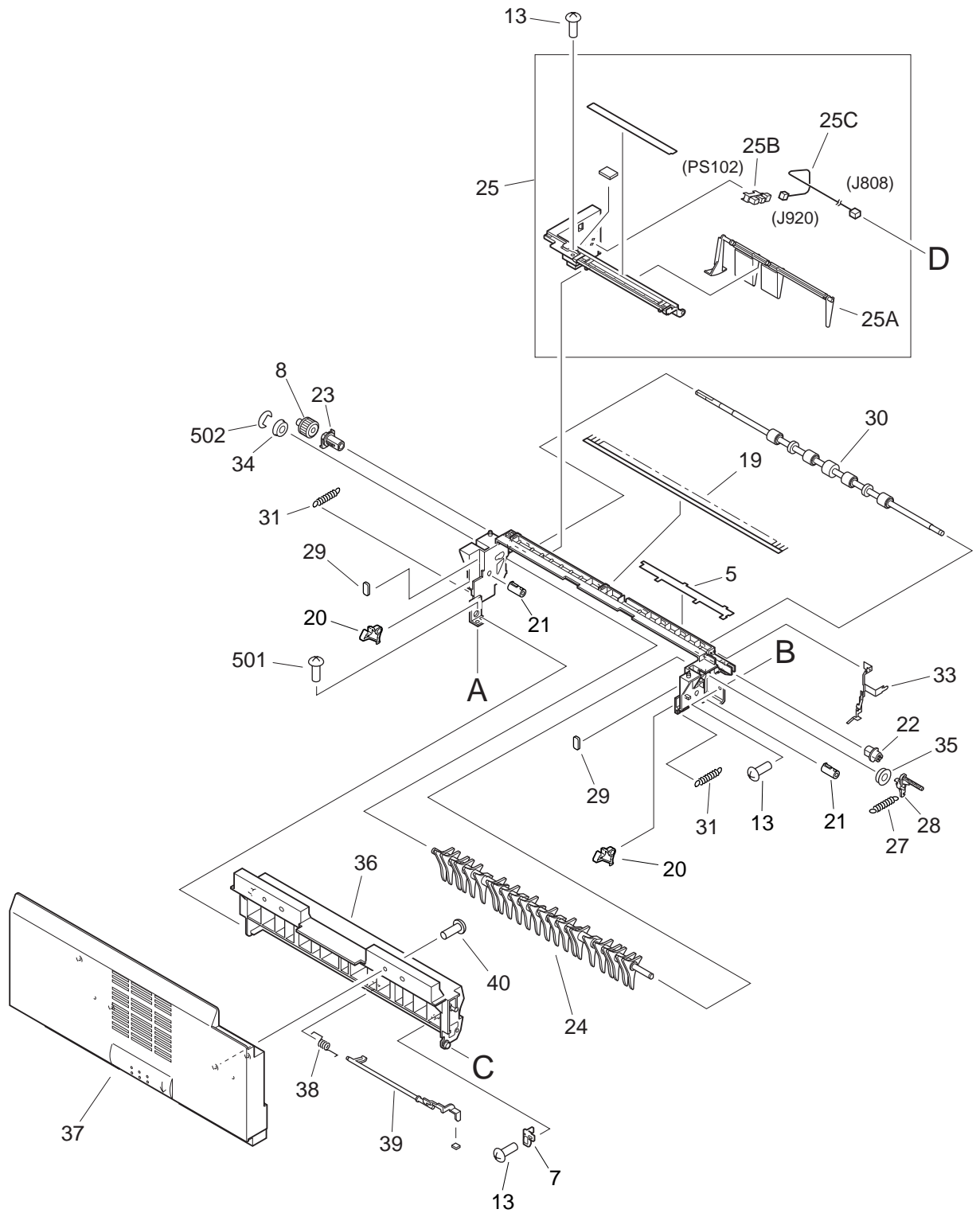


FIGURE & KEY NO.	PART NUMBER	RANK	QTY	DESCRIPTION	SERIAL NUMBER / REMARKS
810 -	FG6-8452-000		1	FIXING ASSEMBLY	
1	FB6-1491-000		1	PANEL, DELIVERY LOWER	
2	FB6-1493-000		1	SUPPORT, LEFT GUIDE SHAFT	
3	FB6-1494-000		4	HOLDER, DELIVERY ROLLER	
4	FB6-1498-000		4	SPRING, COMPRESSION	
5	FB6-1517-000		1	SHEET, DC CABLE STOPPER	
6	FB6-1542-000		1	GEAR, 61T	
7	FB6-1999-000		1	SUPPORT, SENSOR LEVER	
8	FS7-0982-000		1	GEAR, 15T	
9	FS7-0983-000		1	GEAR, 25T	
10	RB2-1998-000		4	ROLLER	
11	WG8-5362-000		1	IC, TLP1241, PHOTO-INTERRUPTER	PS103 J914
12	XA9-1279-000		4	SCREW,W/WASHER,M3X8	
13	XA9-0901-000		3	SCREW,W/WASHER,M3X10	
14	FS7-2595-000		2	SPRING, TENSION	
15	FS7-8267-000		1	LABEL, CAUTION	
16	FB5-8143-000		5	CLAW, SEPARATION	
17	FS7-2596-000		5	SPRING, TENSION	
18	FG6-8487-000		1	CABLE, HEATER	J915
19	FB4-3098-000		1	ELIMINATOR, STATIC CHARGE	
20	FB4-5672-000		2	PAWL, LOCK	
21	FB4-5673-000		2	SHAFT, LOCK	
22	FB5-8126-000		1	BUSHING	
23	FB5-8129-000		1	BUSHING	
24	FB6-1487-000		1	DEFLECTOR, DELIVERY	
25	FG6-8411-000		1	SENSOR LEVER UNIT	
25A	FB6-1546-000		1	LEVER, SENSOR	
25B	WG8-5362-000		1	IC, TLP1241, PHOTO-INTERRUPTER	PS102 J920
25C	FG6-8485-000		1	CABLE, SENSOR	J808,920
26	FG6-8484-000		1	CABLE, FIXING SENSOR	J801,808,914

FIGURE & KEY NO.	PART NUMBER	RANK	QTY	DESCRIPTION	SERIAL NUMBER / REMARKS
810 - 26A	VS1-6198-003		1	CONNECTOR, SNAP TIGHT	J808
27	FB6-1488-000		1	SPRING, TENSION	
28	FB6-1489-000		1	ARM, SOLENOID	
29	FB6-1492-000		2	SHEET, LEFT GUIDE POSITIONING	
30	FB6-1505-000		1	ROLLER, DELIVERY	
31	FB6-1507-000		2	SPRING, TENSION	
32	RG9-1337-000		4	ROLLER, DELIVERY	
33	FB6-1511-000		1	PLATE, GROUNDING	
34	FS1-1205-000		1	BUSHING	
35	RS5-1496-000		1	BUSHING	
36	FB6-1486-000		1	GUIDE, DELIVERY LEFT	
37	FB6-1502-000		1	PANEL, DELIVERY LEFT GUIDE	
38	FB6-1624-000		1	SPRING, TORSION	
39	FF6-1745-000		1	FLAG, DELIVERY SENSOR	
40	XA9-0605-000		2	SCREW,P,M4X8	
41	XA9-1206-000		2	SCREW,W/WASHER,M4X12	
42	FB5-8122-020		1	LEVER, RELEASE, LEFT	
43	FB5-8123-020		1	LEVER, RELEASE, RIGHT	
44	FB6-1549-000		1	ROLLER, PRESSURE	
45	FB6-1392-000		2	BUSHING	
46	FB5-8130-000		1	ELIMINATOR, STATIC CHARGE	
47	FG6-8488-000		1	CABLE, HEATER GROUNDING	
48	FB5-8149-000		1	PLATE, GROUNDING	
49	FS1-9010-000		2	SCREW,STEPPED,M3X2.2	
50	XG9-0473-000		4	BEARING, BALL, DDL-1060ZZH	
51	FB6-1514-000		1	ELIMINATOR, STATIC CHARGE	
52	FB6-1515-000		1	SHEET, INSULATION	
53	FB6-1548-000		2	BUSHING, FIXING ROLLER	
54	FH7-4731-000		1	HALOGEN HEATER	H101
55	FB5-8132-010		1	ROLLER, FIXING	

FIGURE & KEY NO.	PART NUMBER	R A N K	Q' T Y	DESCRIPTION	SERIAL NUMBER / REMARKS
810 - 56	FS7-0984-000		1	GEAR, 36T	
57	FS7-2597-000		1	SUPPORT, GEAR	
501	XB4-7300-809		2	SCREW,TAPPING,TRUSS HEAD,M3X8	
502	XD2-1100-502		1	RING,E	
503	XD1-1106-213		2	SHIM	
504	XD1-1106-219		4	SHIM	
505	XB2-8300-607		2	SCREW,W/WASHER,M3X6	

FIGURE B LIST OF CONNECTORS (1/2)

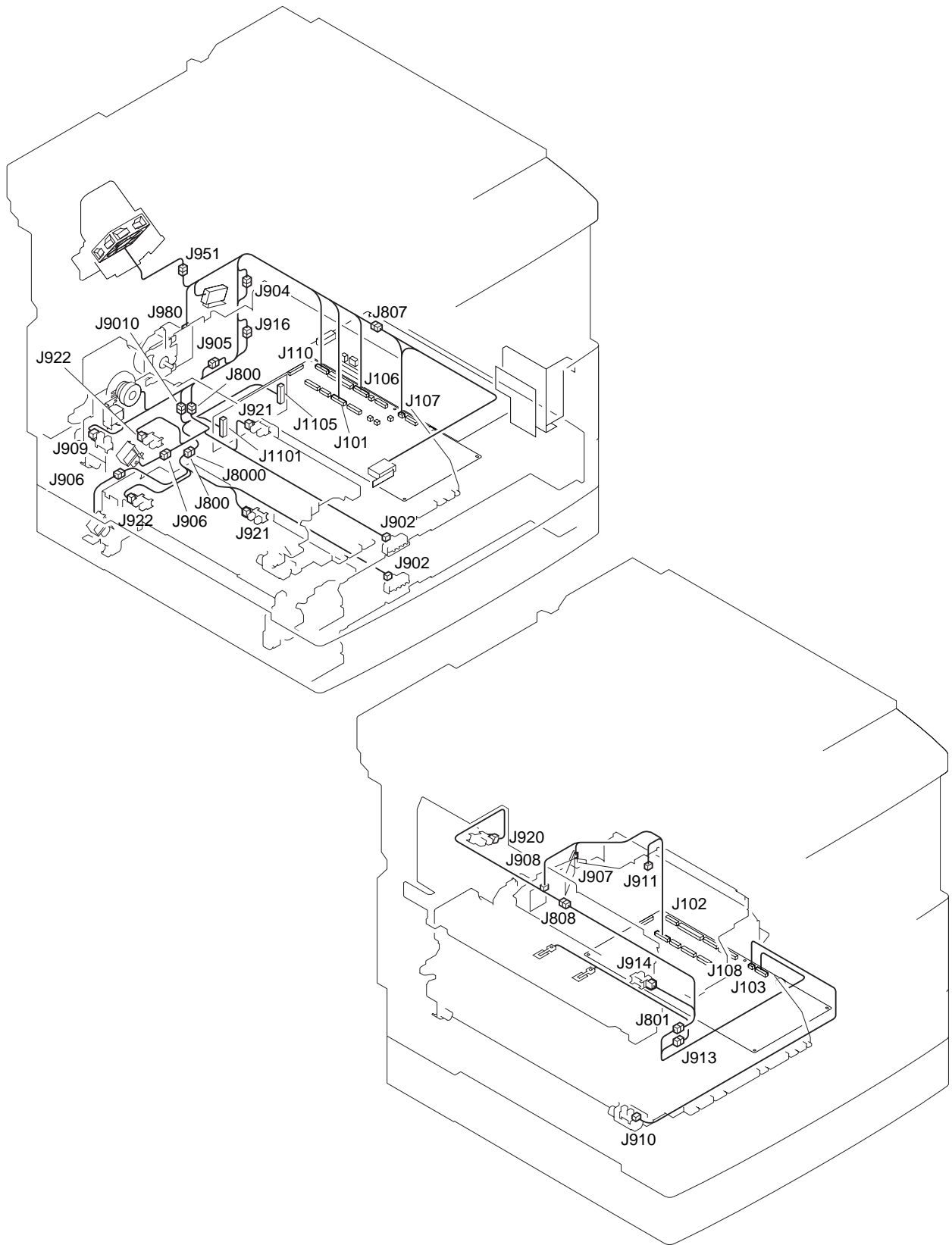


FIGURE B LIST OF CONNECTORS (2/2)

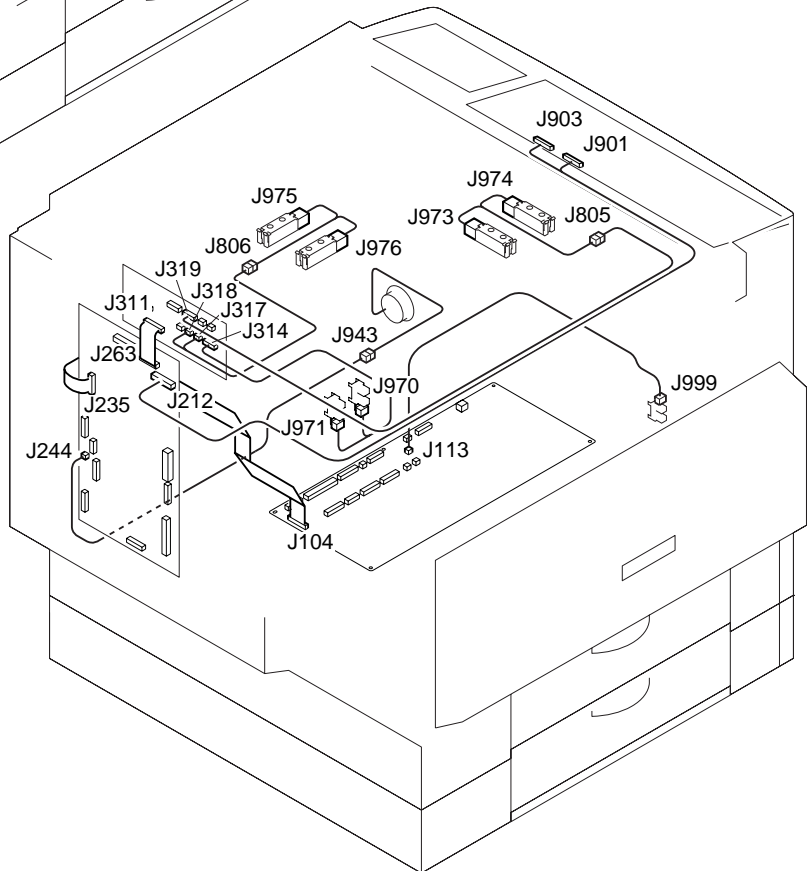
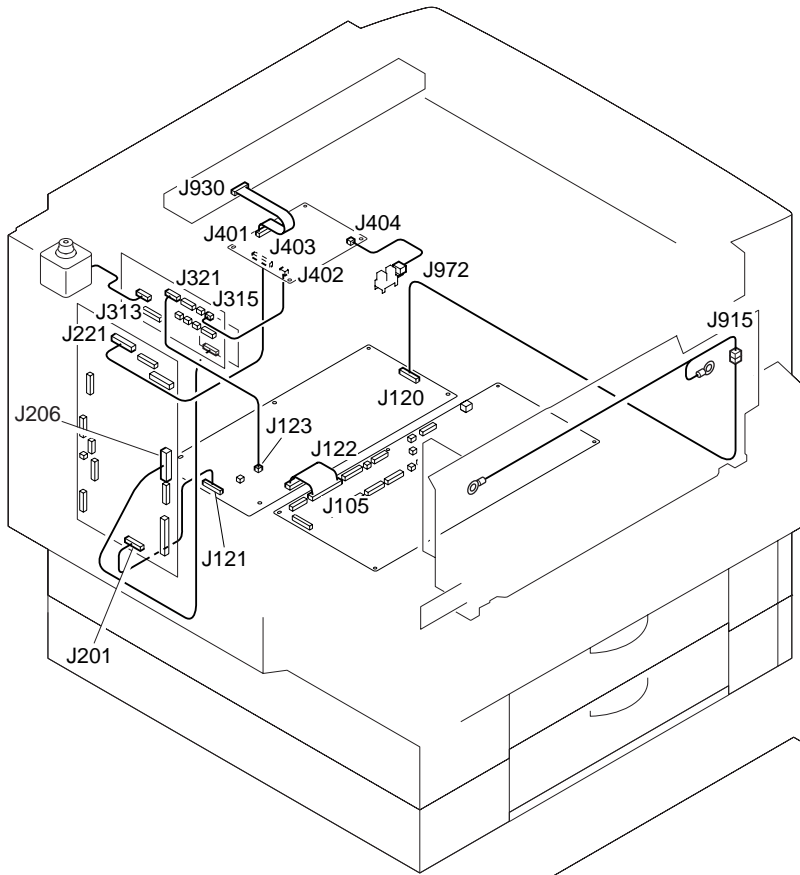


FIGURE & KEY NO.	PART NUMBER	RANK	QTY	DESCRIPTION	SERIAL NUMBER / REMARKS
B -	NPN		RF	LIST OF CONNECTORS	
J101	PCB			DC CONTROLLER	
	VS1-0842-011		1	CONNECTOR, 11P, FEMALE	
J102	PCB			DC CONTROLLER	
	VS1-6225-015		1	CONNECTOR, 15P, FEMALE	
J103	PCB			DC CONTROLLER	
	VS1-6225-012		1	CONNECTOR, 12P, FEMALE	
J104	PCB			DC CONTROLLER	
	FH2-6942-000		1	CABLE, FLAT	
J105	PCB			DC CONTROLLER	
J106	PCB			DC CONTROLLER	
	FH2-6894-000		1	CABLE, FLAT, 35P	
J107	PCB			DC CONTROLLER	
	VS3-5083-002		1	CONNECTOR, 2P, FEMALE	
J108	PCB			DC CONTROLLER	
	WS3-5160-000		2	SOCKET CONTACT, 18-24AWG	
	VS1-6225-003		1	CONNECTOR, 3P, FEMALE	
J110	PCB			DC CONTROLLER	
	VS1-6225-013		1	CONNECTOR, 13P, FEMALE	
J113	PCB			DC CONTROLLER	
	VS1-0842-003		1	CONNECTOR, 3P, FEMALE	
J120	PCB			POWER SUPPLY	
	VS3-5122-003		1	CONNECTOR, 3P, MALE	
	WS3-5292-000		2	SOCKET CONTACT	
J121	PCB			POWER SUPPLY	
	VS1-6695-020		1	CONNECTOR, 20P, FEMALE	
	WS3-5569-000		20	PIN, CONTACT	
J122	PCB			POWER SUPPLY	
	FH2-6894-000		1	CABLE, FLAT, 35P	

FIGURE & KEY NO.	PART NUMBER	RANK	QTY	DESCRIPTION	SERIAL NUMBER / REMARKS
B - J123	PCB			POWER SUPPLY	
	VS1-6302-004		1	CONNECTOR, 4P, MALE	
	WS3-5569-000		4	PIN, CONTACT	
J201	PCB			IMAGE PROCESSOR	
	VS1-6695-020		1	CONNECTOR, 20P, FEMALE	
J206	WS3-5569-000		20	PIN, CONTACT	
	PCB			IMAGE PROCESSOR	
	VS1-6313-011		1	CONNECTOR, 11P, FEMALE	
J212	PCB			IMAGE PROCESSOR	
	VS1-5452-012		1	CONNECTOR, 12P, FEMALE	
J221	VS1-6084-012		1	CONNECTOR, 12P, FEMALE	
	VS1-6197-024		1	HOLDER, CONNECTOR, 24P	
	PCB			IMAGE PROCESSOR	
J235	FH2-6948-000		1	CABLE, IP-AP	
	PCB			IMAGE PROCESSOR	
J244	FH2-6942-000		1	CABLE, FLAT	
	PCB			IMAGE PROCESSOR	
J263	VS3-0143-002		1	CONNECTOR, 2P, FEMALE	
	WS3-1105-000		2	SOCKET CONTACT	
	PCB			IMAGE PROCESSOR	
J311	FH2-6945-000		1	CABLE, FLAT	
	PCB			DOC.DET./READER DRIVER MOTOR	
J313	FH2-6945-000		1	CABLE, FLAT	
	PCB			DOC.DET./READER DRIVER MOTOR	
	NPN			READER MOTOR	M103
J314	PCB			DOC.DET./READER DRIVER MOTOR	
	VS1-0842-006		1	CONNECTOR, 6P, FEMALE	
J315	PCB			DOC.DET./READER DRIVER MOTOR	
	VS1-0852-003		1	CONNECTOR, 3P, FEMALE	
J317	PCB			DOC.DET./READER DRIVER MOTOR	IR2000

FIGURE & KEY NO.	PART NUMBER	RANK	QTY	DESCRIPTION	SERIAL NUMBER / REMARKS
B - J317	VS1-0842-003		1	CONNECTOR, 3P, FEMALE	IR2000
J318	PCB			DOC.DET./READER DRIVER MOTOR	IR2000
	VS1-0842-004		1	CONNECTOR, 4P, FEMALE	IR2000
J319	PCB			DOC.DET./READER DRIVER MOTOR	IR2000
	VS1-0852-006		1	CONNECTOR, 6P, FEMALE	IR2000
J321	PCB			DOC.DET./READER DRIVER MOTOR	
	VS1-6302-004		1	CONNECTOR, 4P, MALE	
	WS3-5569-000		4	PIN, CONTACT	
J401	PCB			ANALOG PROCESSOR	
	FF6-1759-000		1	CABLE, FLAT	
J402	PCB			ANALOG PROCESSOR	
	VS1-0852-003		1	CONNECTOR, 3P, FEMALE	
J403	PCB			ANALOG PROCESSOR	
	FH2-6948-000		1	CABLE, IP-AP	
J404	PCB			ANALOG PROCESSOR	
J800	VS1-0842-003		1	CONNECTOR, 3P, FEMALE	
	VS1-0842-013		2	CONNECTOR, 13P, FEMALE	
	VS1-0842-013		1	CONNECTOR, 13P, FEMALE	IR2000
	VS1-5057-013		1	CONNECTOR, SNAP TIGHT	
J801	VS1-0842-007		1	CONNECTOR, 7P, FEMALE	
J805	VS1-5057-007		1	CONNECTOR, SNAP TIGHT	
	VS1-5824-007		1	CONNECTOR, 7P, FEMALE	
	VS1-6225-006		2	CONNECTOR, 6P, FEMALE	IR2000
	VS1-6492-006		1	CONNECTOR, SNAP TIGHT	IR2000
J806	VS1-6225-006		2	CONNECTOR, 6P, FEMALE	IR2000
J807	VS1-6492-006		1	CONNECTOR, SNAP TIGHT	IR2000
	VS1-5729-003		1	CONNECTOR, 3P, MALE	
	VS3-5083-000		1	CONNECTOR, 3P, FEMALE	
	WS3-5160-000		2	SOCKET CONTACT, 18-24AWG	
	WS3-5301-000		2	PIN CONTACT	

FIGURE & KEY NO.	PART NUMBER	RANK	QTY	DESCRIPTION	SERIAL NUMBER / REMARKS
B - J808	VS1-0842-003		1	CONNECTOR, 3P, FEMALE	
	VS1-5824-003		1	CONNECTOR, 3P, FEMALE	
	VS1-6198-003		1	CONNECTOR, SNAP TIGHT	
	WS3-5682-000		3	SOCKET CONTACT, 22-26AWG	
	J901	PCB		CONTROL PANEL	
J902	VS1-5452-014		1	CONNECTOR, 14P, FEMALE	
	NPN			PAPER SIZE DET. SWITCH	SW105
	VS1-0842-005		1	CONNECTOR, 5P, FEMALE	
	VS1-0842-005		1	CONNECTOR, 5P, FEMALE	IR2000
J903	PCB		CONTROL PANEL		
J904	VS1-5452-012		1	CONNECTOR, 12P, FEMALE	
	NPN			MULTI PAPER PICK-UP SOLENOID	SL101
	VS1-0842-002		1	CONNECTOR, 2P, FEMALE	
J905	VS1-5057-002		1	CONNECTOR, SNAP TIGHT	
	NPN			REGISTRATION CLUTCH	CL101
J906	VS1-0842-002		1	CONNECTOR, 2P, FEMALE	
	VS1-5057-002		1	CONNECTOR, SNAP TIGHT	
	NPN			CASSETTE PICK-UP SOLENOID	SL151
	VS1-0842-002		1	CONNECTOR, 2P, FEMALE	
	VS1-0842-002		1	CONNECTOR, 2P, FEMALE	IR2000
J907	VS1-5057-002		1	CONNECTOR, SNAP TIGHT	
	VS1-5057-002		1	CONNECTOR, SNAP TIGHT	IR2000
J908	NPN		LASER UNIT		
J908	VS1-0842-008		1	CONNECTOR, 8P, FEMALE	
	NPN			BD SENSOR	
J909	VS1-0842-003		1	CONNECTOR, 3P, FEMALE	
	NPN			REGISTRATION PAPER SENSOR	PS101
J910	VS1-0842-003		1	CONNECTOR, 3P, FEMALE	
	NPN			MULTI PAPER SENSOR	PS105
	VS1-0842-003		1	CONNECTOR, 3P, FEMALE	

FIGURE & KEY NO.	PART NUMBER	RANK	QTY	DESCRIPTION	SERIAL NUMBER / REMARKS
B - J911	NPN			SCANNER MOTOR	M102
	VS1-0842-004		1	CONNECTOR, 4P, FEMALE	
J913	NPN			THERMISTOR	TH101
	VS1-0842-006		1	CONNECTOR, 6P, FEMALE	
	VS1-5057-006		1	CONNECTOR, SNAP TIGHT	
J914	NPN			DELIVERY SENSOR	PS103
	VS1-5824-003		1	CONNECTOR, 3P, FEMALE	
	WS3-5682-000		3	SOCKET CONTACT, 22-26AWG	
J915	VS3-5121-002		1	CONNECTOR, 2P, MALE	
	VS3-5122-002		1	CONNECTOR, 2P, MALE	
J916	WS3-5292-000		4	SOCKET CONTACT	
	VS1-0842-003		2	CONNECTOR, 3P, FEMALE	
	VS1-5057-003		1	CONNECTOR, SNAP TIGHT	
J920	NPN			PAPER FULL DET. SENSOR	PS102
	VS1-0842-003		1	CONNECTOR, 3P, FEMALE	
J921	NPN			CASSETTE PAPER SENSOR	PS151
	VS1-0842-003		1	CONNECTOR, 3P, FEMALE	
	VS1-0842-003		1	CONNECTOR, 3P, FEMALE	IR2000
J922	NPN			RETRY SENSOR	PS152
	VS1-0842-003		1	CONNECTOR, 3P, FEMALE	
J930	VS1-0842-003		1	CONNECTOR, 3P, FEMALE	IR2000
	NPN			CS UNIT	
	FF6-1759-000		1	CABLE, FLAT	
J943	NPN			SPEAKER	SP1
	VS1-5057-002		1	CONNECTOR, SNAP TIGHT	
J951	VS1-5824-002		1	CONNECTOR, 2P, FEMALE	
	WS3-5682-000		2	SOCKET CONTACT, 22-26AWG	
	NPN			EXHAUST FAN	FM101
	VS1-0842-003		1	CONNECTOR, 3P, FEMALE	
	VS1-5057-003		1	CONNECTOR, SNAP TIGHT	

FIGURE & KEY NO.	PART NUMBER	RANK	QTY	DESCRIPTION	SERIAL NUMBER / REMARKS
B - J970	NPN			COPYBOARD OPEN/CLOSE SENSOR	PS111
	VS1-0842-003		1	CONNECTOR, 3P, FEMALE	
J971	NPN			ADF OPEN/CLOSE SENSOR	PS112
	VS1-0852-003		1	CONNECTOR, 3P, FEMALE	
J972	NPN			CS UNIT HP SENSOR	PS113
	VS1-0842-003		1	CONNECTOR, 3P, FEMALE	
J973	NPN			ORIGINAL SIZE DET. SENSOR 1	IR2000 PS114
	VS1-0853-003		1	CONNECTOR, 3P, FEMALE	IR2000
J974	NPN			ORIGINAL SIZE DET. SENSOR 2	IR2000 PS115
	VS1-0842-003		1	CONNECTOR, 3P, FEMALE	IR2000
J975	NPN			ORIGINAL SIZE DET. SENSOR 3	IR2000 PS116
	VS1-0842-003		1	CONNECTOR, 3P, FEMALE	IR2000
J976	NPN			ORIGINAL SIZE DET. SENSOR 4	IR2000 PS117
	VS1-0852-003		1	CONNECTOR, 3P, FEMALE	IR2000
J980	NPN			MAIN MOTOR	M101
J999	NPN			WASTE TONER FULL SENSOR	PS120
	VS1-0842-003		1	CONNECTOR, 3P, FEMALE	
J1101	PCB			FEEDER DRIVER	IR2000
	VS1-0842-013		1	CONNECTOR, 13P, FEMALE	IR2000
J1105	PCB			FEEDER DRIVER	IR2000
	VS1-0842-011		1	CONNECTOR, 11P, FEMALE	IR2000
J8000	VS1-0842-013		1	CONNECTOR, 13P, FEMALE	IR2000
	VS1-5057-013		1	CONNECTOR, SNAP TIGHT	IR2000
J9010	SYS			TO CASSETTE FEEDING MODULE	IR1600
	VS1-0842-011		1	CONNECTOR, 11P, FEMALE	
	VS1-0842-011		1	CONNECTOR, 11P, FEMALE	IR2000
	VS1-5057-011		1	CONNECTOR, SNAP TIGHT	IR2000

Cassette Feeding Module - F1/G1/H1

Cassette Feeding Module - F1

[F26 - 0401 XGQ00001 -]
[F26 - 0401 XHV00001 -]

Cassette Feeding Module - G1

[F26 - 0421 XGR00001 -]
[F26 - 0421 XHW00001 -]

Cassette Feeding Module - H1

[F26 - 0411 XGS00001 -]
[F26 - 0411 XHX00001 -]

CONTENTS

– Cassette Feeding Module-F1/G1/H1 –

- RA. ASSEMBLY LOCATION DIAGRAM**

- R11. INTERNAL COMPONENTS (F1 TYPE)**
- R12. INTERNAL COMPONENTS (G1 TYPE)**
- R13. INTERNAL COMPONENTS (H1 TYPE)**

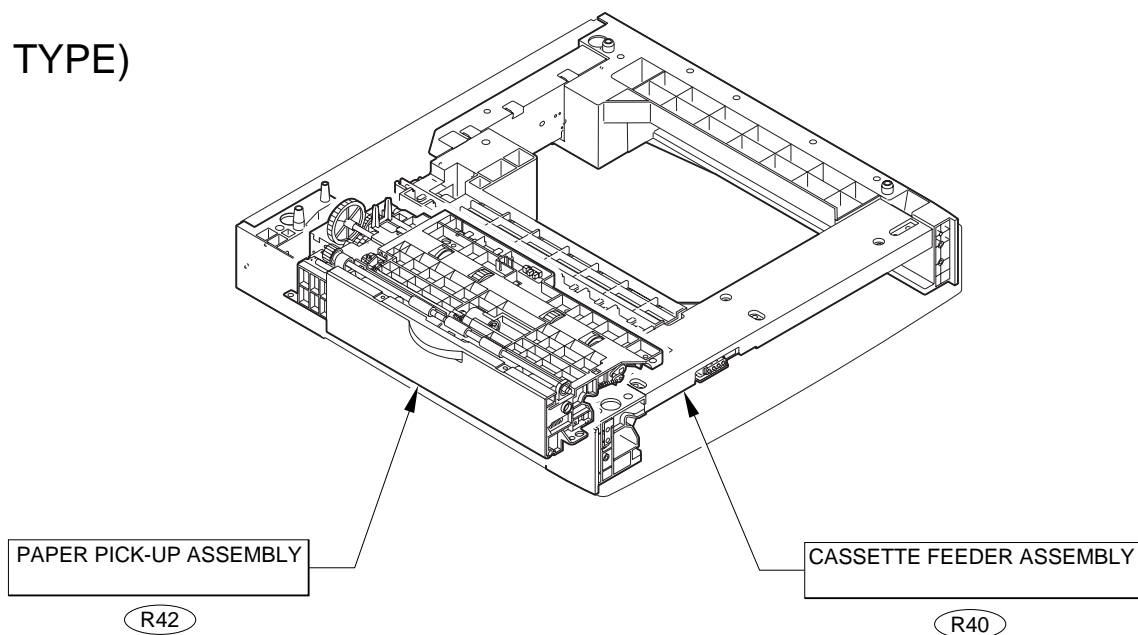
- R40. CASSETTE FEEDER ASSEMBLY**
- R41. CASSETTE FEEDER ASSEMBLY (G1/H1 TYPE)**
- R42. PAPER PICK-UP ASSEMBLY**
- R43. PAPER PICK-UP ASSEMBLY (G1/H1 TYPE)**

- RB1. LIST OF CONNECTORS (F1 TYPE)**
- RB2. LIST OF CONNECTORS (G1 TYPE)**
- RB3. LIST OF CONNECTORS (H1 TYPE)**

- D2. NUMERICAL INDEX**
(Cassette Feeding Module-F1/G1/H1)

FIGURE RA ASSEMBLY LOCATION DIAGRAM (1/2)

(F1 TYPE)



(G1 TYPE)

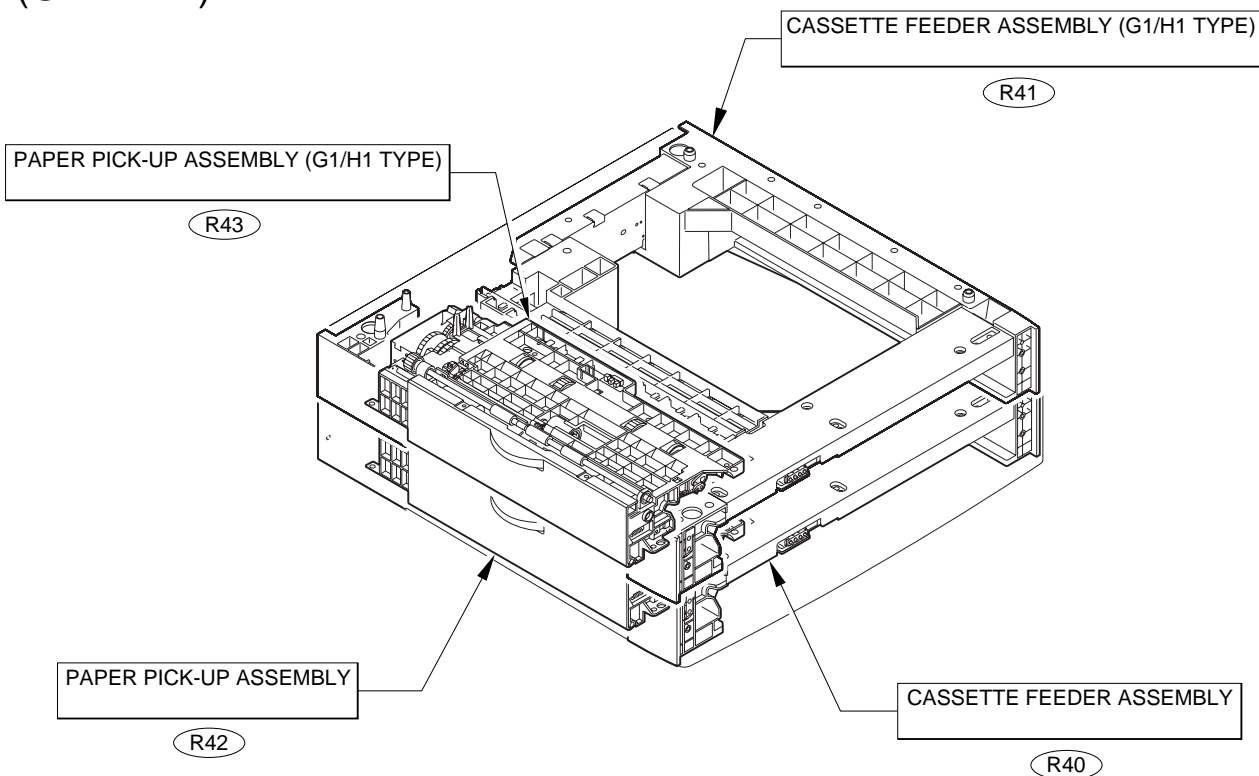


FIGURE RA ASSEMBLY LOCATION DIAGRAM (2/2)

(H1 TYPE)

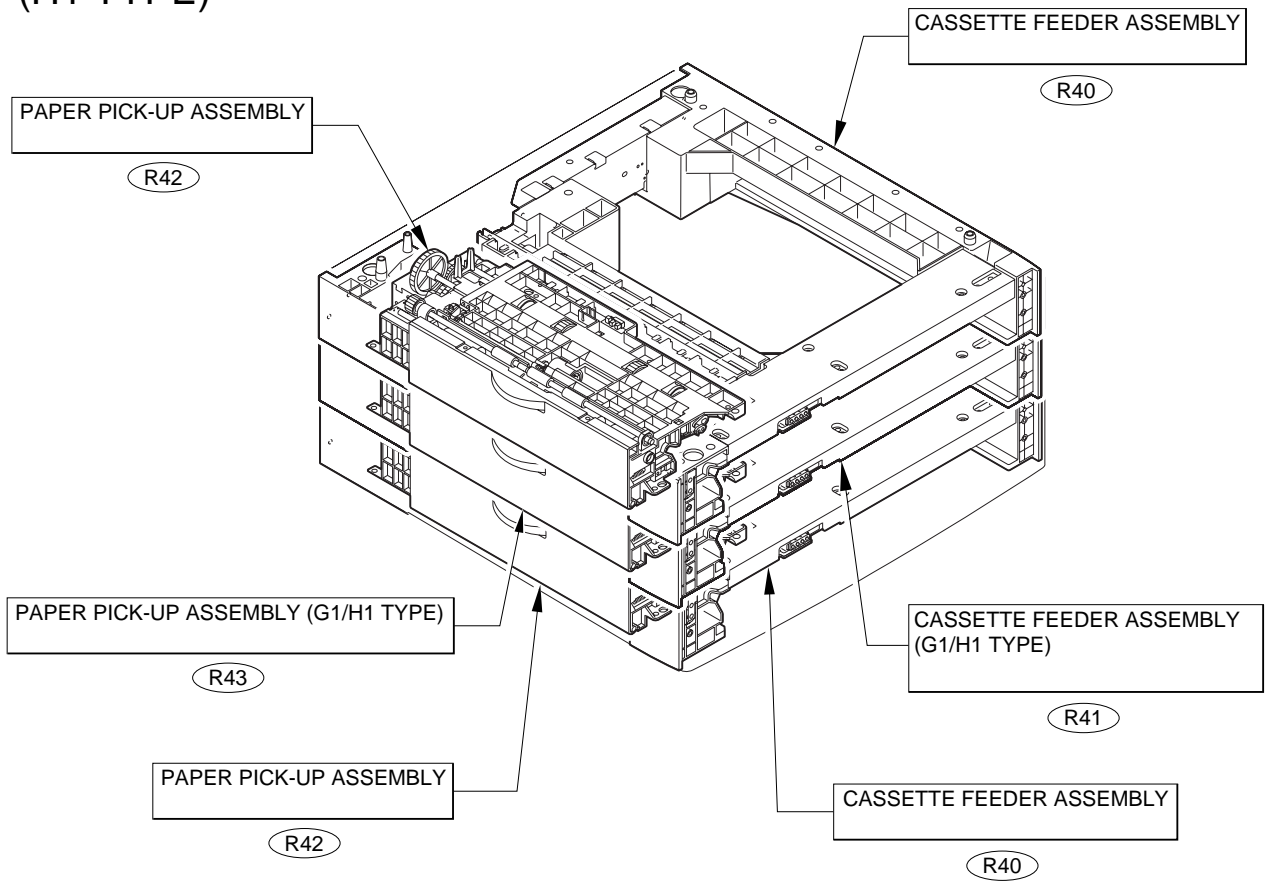


FIGURE R11 INTERNAL COMPONENTS (F1 TYPE)

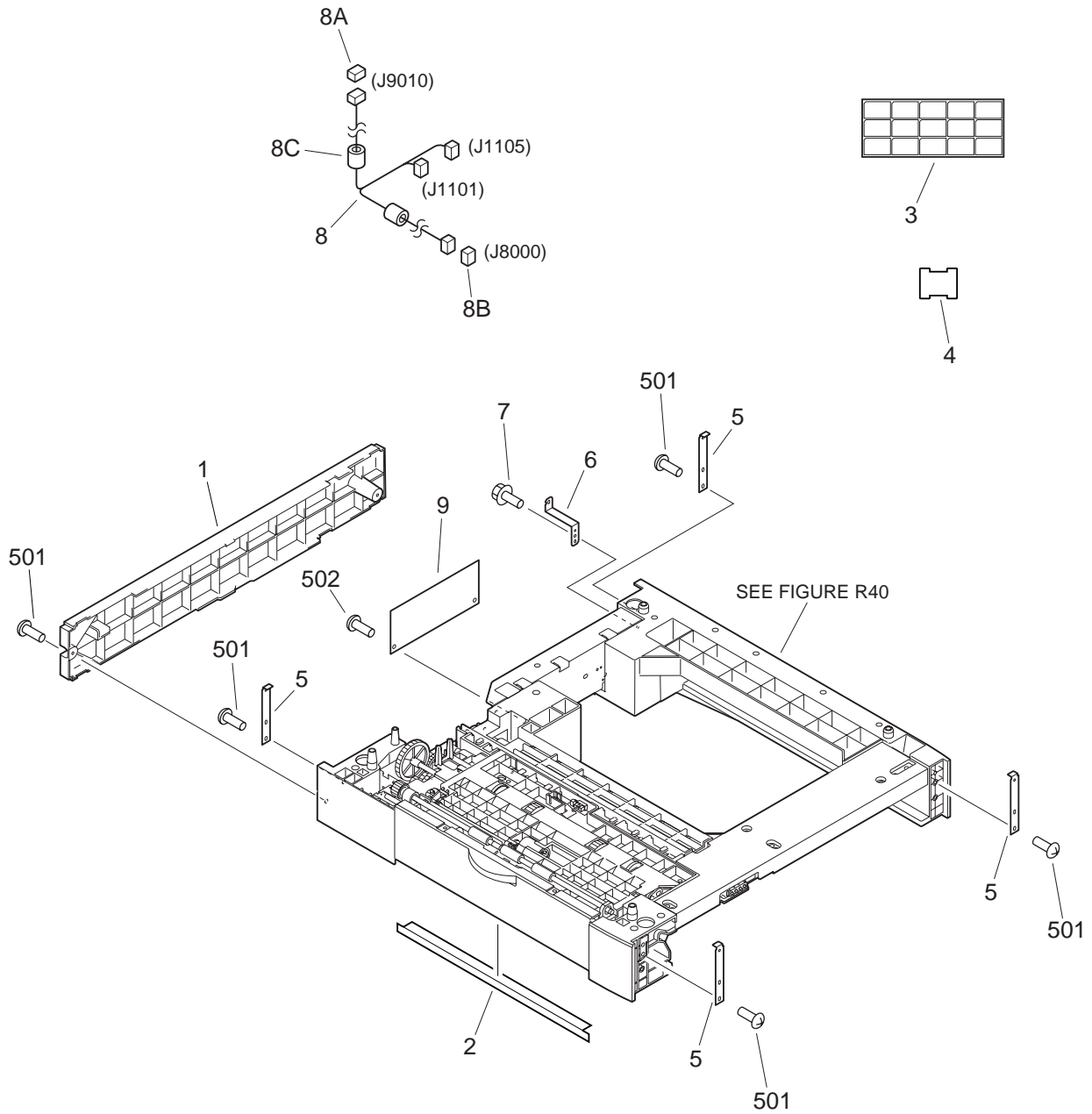


FIGURE & KEY NO.	PART NUMBER	RANK	QTY	DESCRIPTION	SERIAL NUMBER / REMARKS
R11 -	NPN		RF	INTERNAL COMPONENTS	F1 TYPE
1	FB6-1607-000		1	PANEL, FEEDER REAR	
2	FB6-1642-000		1	SHEET, LEFT LOWER	
3	FB6-1656-000		1	LABEL, CASSETTE SIZE	
4	FB6-1659-000		1	LABEL, "WARNING"	
5	FB6-1906-000		4	PLATE, FEEDER CONNECTOR	
6	FB6-1913-000		1	PLATE, GROUNDING	
7	XA9-0385-000		2	SCREW,W/WASHER,M3X6	
8	FG6-8491-000		1	CABLE, PAPER FEEDER, 1	J1101,1105,8000,9010
8A	VS1-5057-011		1	CONNECTOR, SNAP TIGHT	J9010
8B	VS1-5057-013		1	CONNECTOR, SNAP TIGHT	J8000
8C	WE8-0051-000		1	FERRITE CORE ESD-R-19D	
9	FG6-8647-000		1	FEEDER DRIVER PCB ASSEMBLY	
501	XB4-5401-007		10	SCREW, M4X10	
502	XB2-8300-806		2	SCREW,W/WASHER,M3X8	

FIGURE R12 INTERNAL COMPONENTS (G1 TYPE)

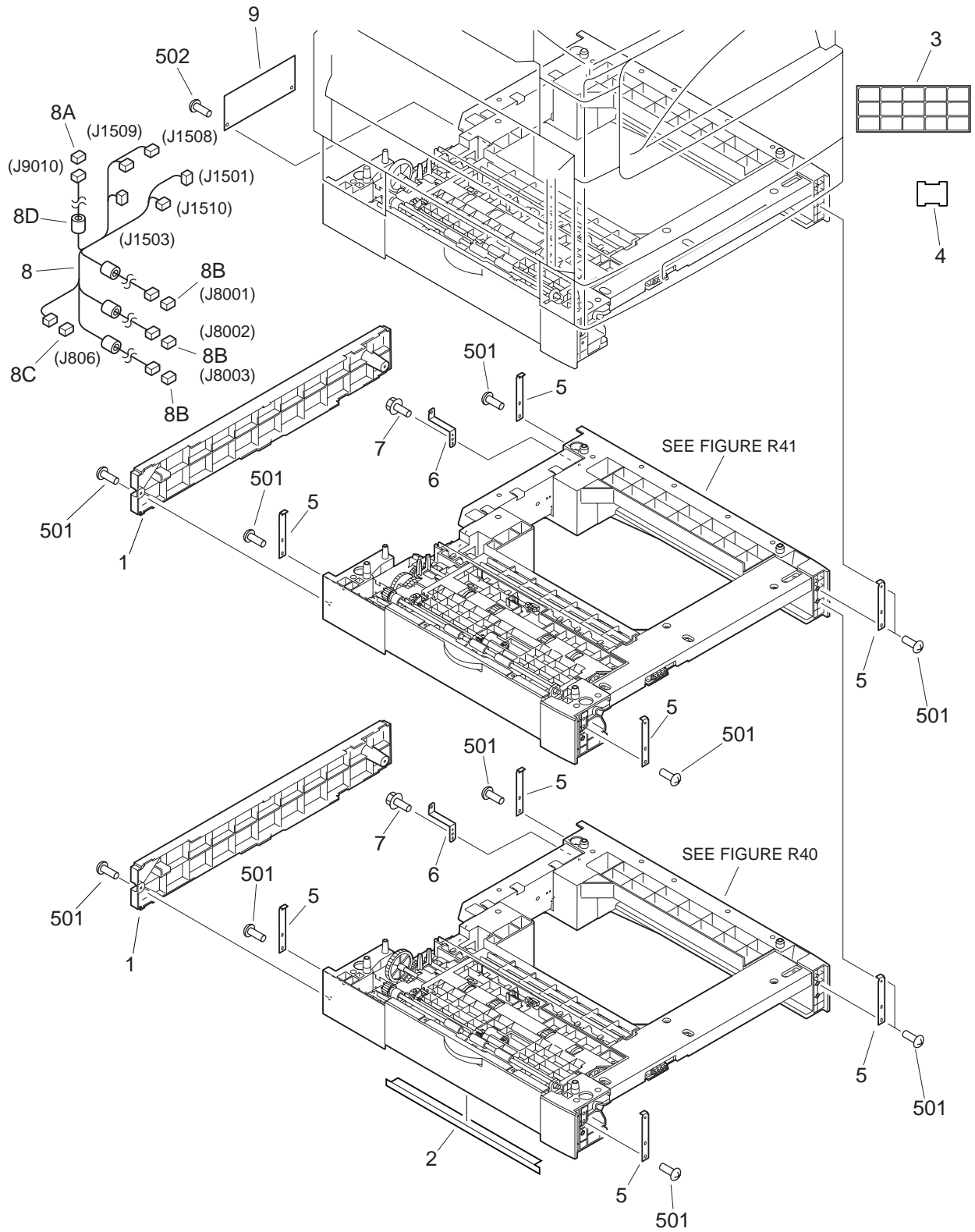


FIGURE & KEY NO.	PART NUMBER	RANK	QTY	DESCRIPTION	SERIAL NUMBER / REMARKS
R12 -	NPN		RF	INTERNAL COMPONENTS	G1 TYPE
1	FB6-1607-000		2	PANEL, FEEDER REAR	
2	FB6-1642-000		1	SHEET, LEFT LOWER	
3	FB6-1656-000		2	LABEL, CASSETTE SIZE	
4	FB6-1659-000		2	LABEL, "WARNING"	
5	FB6-1906-000		8	PLATE, FEEDER CONNECTOR	
6	FB6-1913-000		2	PLATE, GROUNDING	
7	XA9-0385-000		4	SCREW,W/WASHER,M3X6	
8	FG6-8492-000		1	CABLE, PAPER FEEDER, 2	J806,1501,1503 J1508-1510,8001-8003 J9010
8A	VS1-5057-011		1	CONNECTOR, SNAP TIGHT	J9010
8B	VS1-5057-013		3	CONNECTOR, SNAP TIGHT	J8001-8003
8C	VS1-5820-004		1	CONNECTOR, SNAP TIGHT	J806
8D	WE8-0051-000		1	FERRITE CORE ESD-R-19D	
9	FG6-8648-000		1	FEEDER DRIVER PCB ASSEMBLY	
501	XB4-5401-007		16	SCREW, M4X10	
502	XB2-8300-806		2	SCREW,W/WASHER,M3X8	

FIGURE R13 INTERNAL COMPONENTS (H1 TYPE)

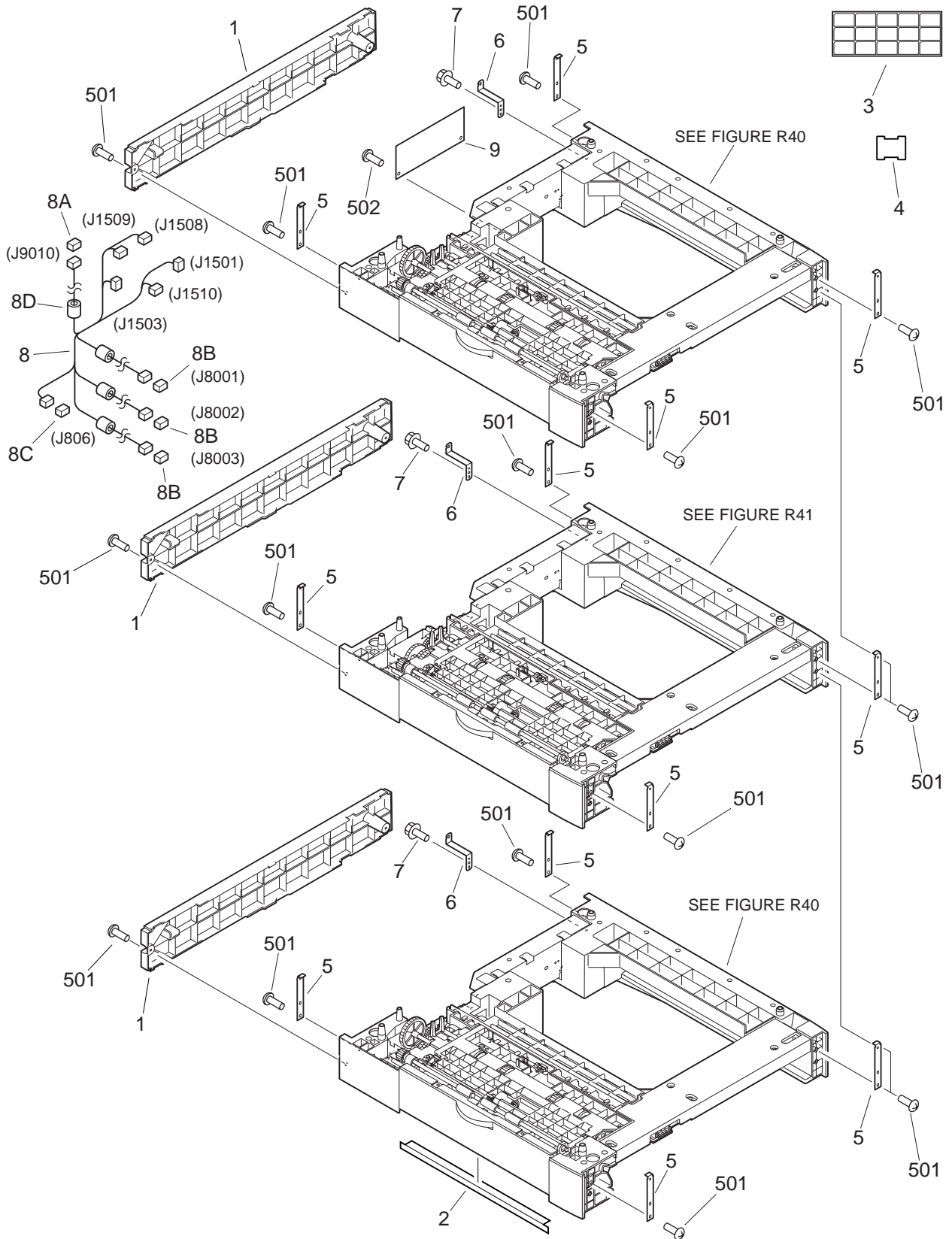


FIGURE & KEY NO.	PART NUMBER	RANK	QTY	DESCRIPTION	SERIAL NUMBER / REMARKS
R13 -	NPN		RF	INTERNAL COMPONENTS	H1 TYPE
1	FB6-1607-000		3	PANEL, FEEDER REAR	
2	FB6-1642-000		1	SHEET, LEFT LOWER	
3	FB6-1656-000		3	LABEL, CASSETTE SIZE	
4	FB6-1659-000		3	LABEL, "WARNING"	
5	FB6-1906-000		12	PLATE, FEEDER CONNECTOR	
6	FB6-1913-000		3	PLATE, GROUNDING	
7	XA9-0385-000		6	SCREW,W/WASHER,M3X6	
8	FG6-8492-000		1	CABLE, PAPER FEEDER, 2	J806,1501,1503 J1508-1510,8001-8003 J9010
8A	VS1-5057-011		1	CONNECTOR, SNAP TIGHT	J9010
8B	VS1-5057-013		3	CONNECTOR, SNAP TIGHT	J8001-8003
8C	VS1-5820-004		1	CONNECTOR, SNAP TIGHT	J806
8D	WE8-0051-000		1	FERRITE CORE ESD-R-19D	
9	FG6-8648-000		1	FEEDER DRIVER PCB ASSEMBLY	
501	XB4-5401-007		22	SCREW, M4X10	
502	XB2-8300-806		2	SCREW,W/WASHER,M3X8	

FIGURE R40 CASSETTE FEEDER ASSEMBLY

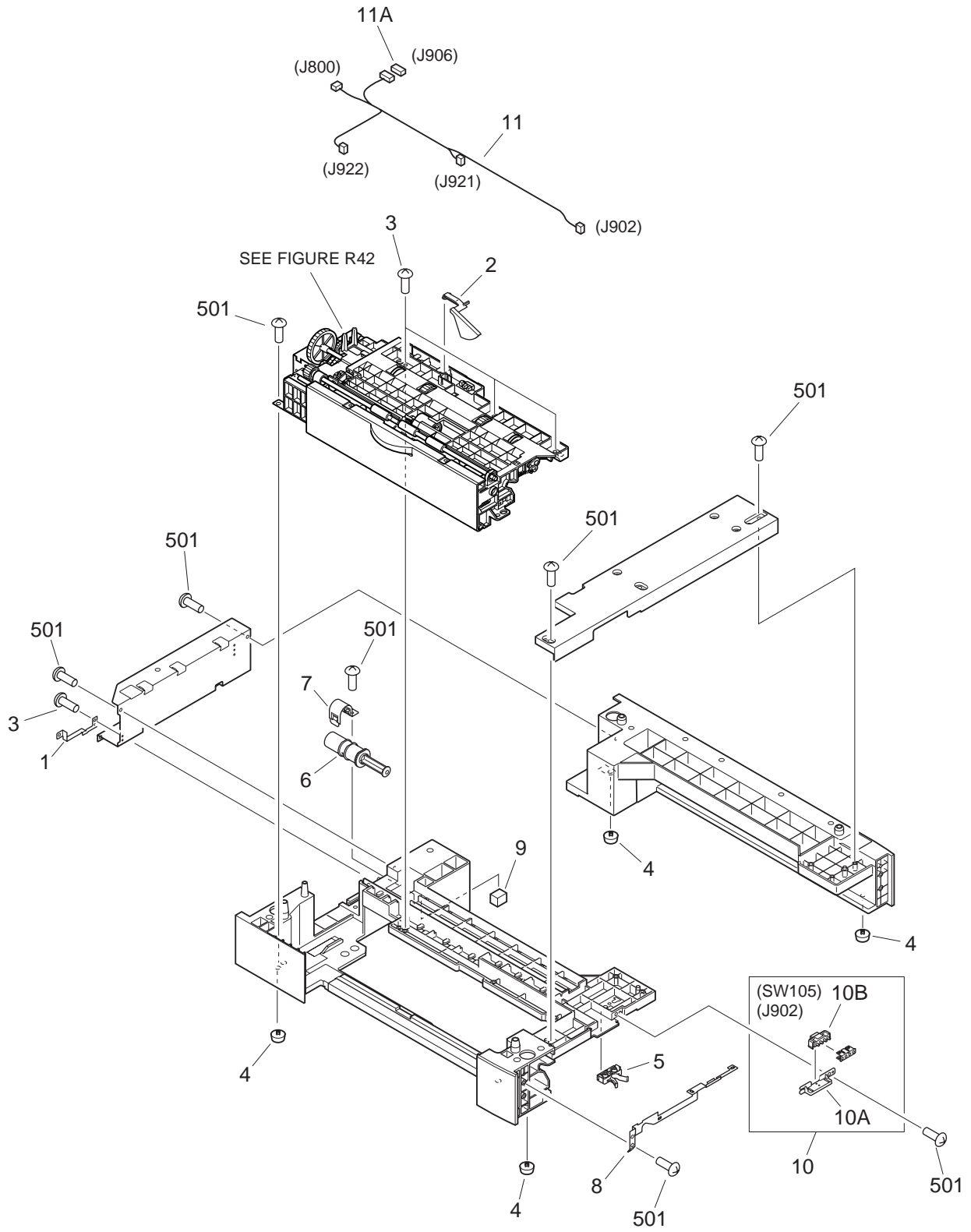


FIGURE & KEY NO.	PART NUMBER	RANK	QTY	DESCRIPTION	SERIAL NUMBER / REMARKS
R40 -	NPN		RF	CASSETTE FEEDER ASSEMBLY	
1	FB6-1605-000		1	PLATE, GROUNDING	
2	FB6-1625-000		1	ARM, PAPER SENSOR	
3	XA9-0385-000		4	SCREW, W/WASHER, M3X6	
4	XH9-0127-000		4	FOOT, RUBBER	
5	FB4-5512-030		1	BLOCK, POSITIONING	
6	FB4-5532-000		1	CASSETTE DAMPER UNIT	
7	FB6-1608-000		1	HOLDER, DAMPER	
8	FB6-1917-000		1	PLATE, GROUNDING	
9	FB6-1974-000		1	FOOT, RUBBER	
10	FG6-8440-000		1	SIZE SENSOR UNIT	
10A	FB6-1910-000		1	MOUNT, SIZE SENSOR	
10B	WC2-5332-000		1	SWITCH, CASSETTE SIZE	SW105 J902
11	FG6-8482-000		1	CABLE, CASSETTE	J800,902,906,921,922
11A	VS1-5057-002		1	CONNECTOR, SNAP TIGHT	J906
501	XB4-5401-007		AR	SCREW, M4X10	

FIGURE R41 CASSETTE FEEDER ASSEMBLY (G1/H1 TYPE)

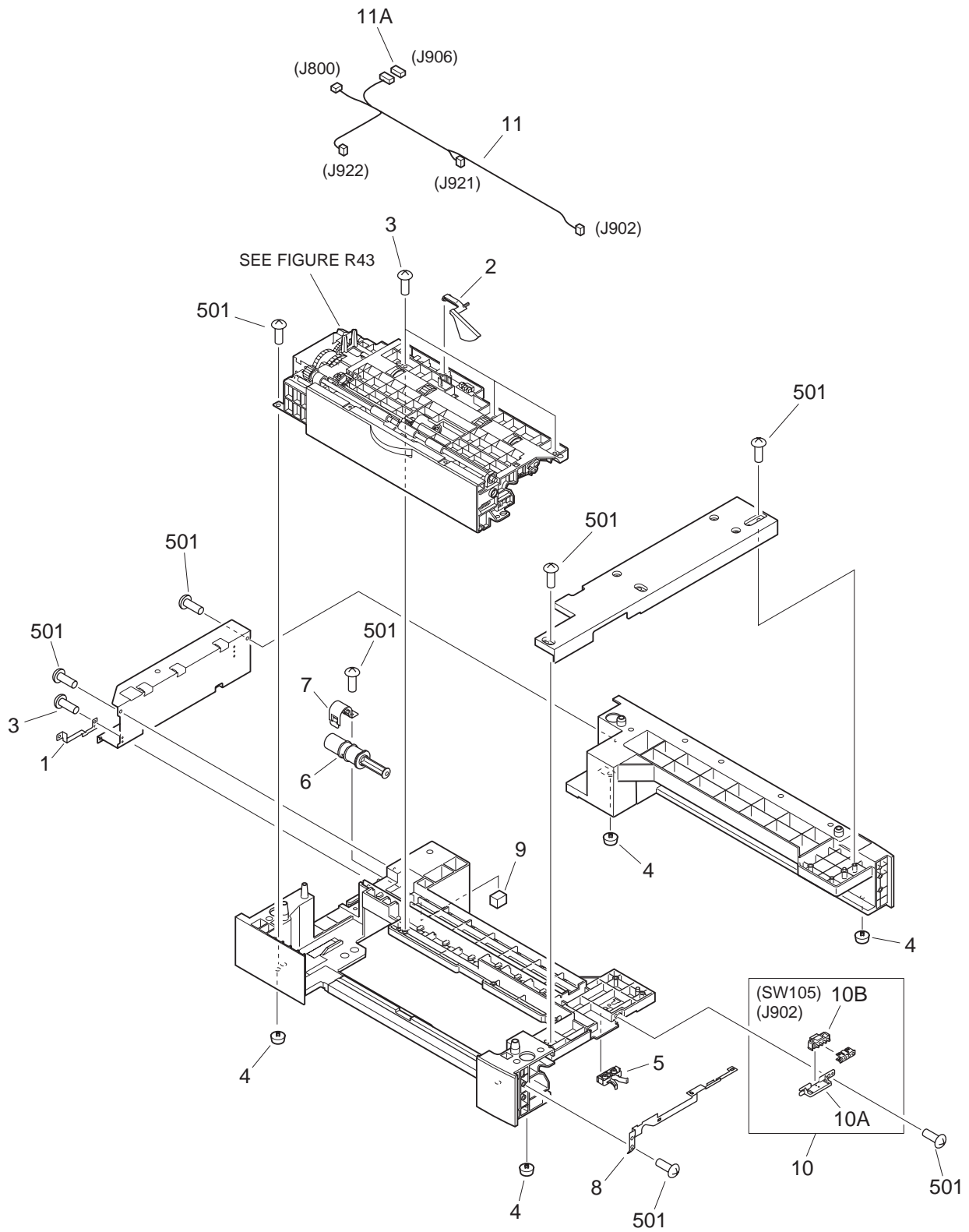


FIGURE & KEY NO.	PART NUMBER	RANK	QTY	DESCRIPTION	SERIAL NUMBER / REMARKS
R41 -	NPN		RF	CASSETTE FEEDER ASSEMBLY	G1/H1 TYPE
1	FB6-1605-000		1	PLATE, GROUNDING	
2	FB6-1625-000		1	ARM, PAPER SENSOR	
3	XA9-0385-000		4	SCREW, W/WASHER, M3X6	
4	XH9-0127-000		4	FOOT, RUBBER	
5	FB4-5512-030		1	BLOCK, POSITIONING	
6	FB4-5532-000		1	CASSETTE DAMPER UNIT	
7	FB6-1608-000		1	HOLDER, DAMPER	
8	FB6-1917-000		1	PLATE, GROUNDING	
9	FB6-1974-000		1	FOOT, RUBBER	
10	FG6-8440-000		1	SIZE SENSOR UNIT	
10A	FB6-1910-000		1	MOUNT, SIZE SENSOR	
10B	WC2-5332-000		1	SWITCH, CASSETTE SIZE	SW105 J902
11	FG6-8482-000		1	CABLE, CASSETTE	J800,902,906,921,922
11A	VS1-5057-002		1	CONNECTOR, SNAP TIGHT	J906
501	XB4-5401-007		AR	SCREW, M4X10	

FIGURE R42 PAPER PICK-UP ASSEMBLY

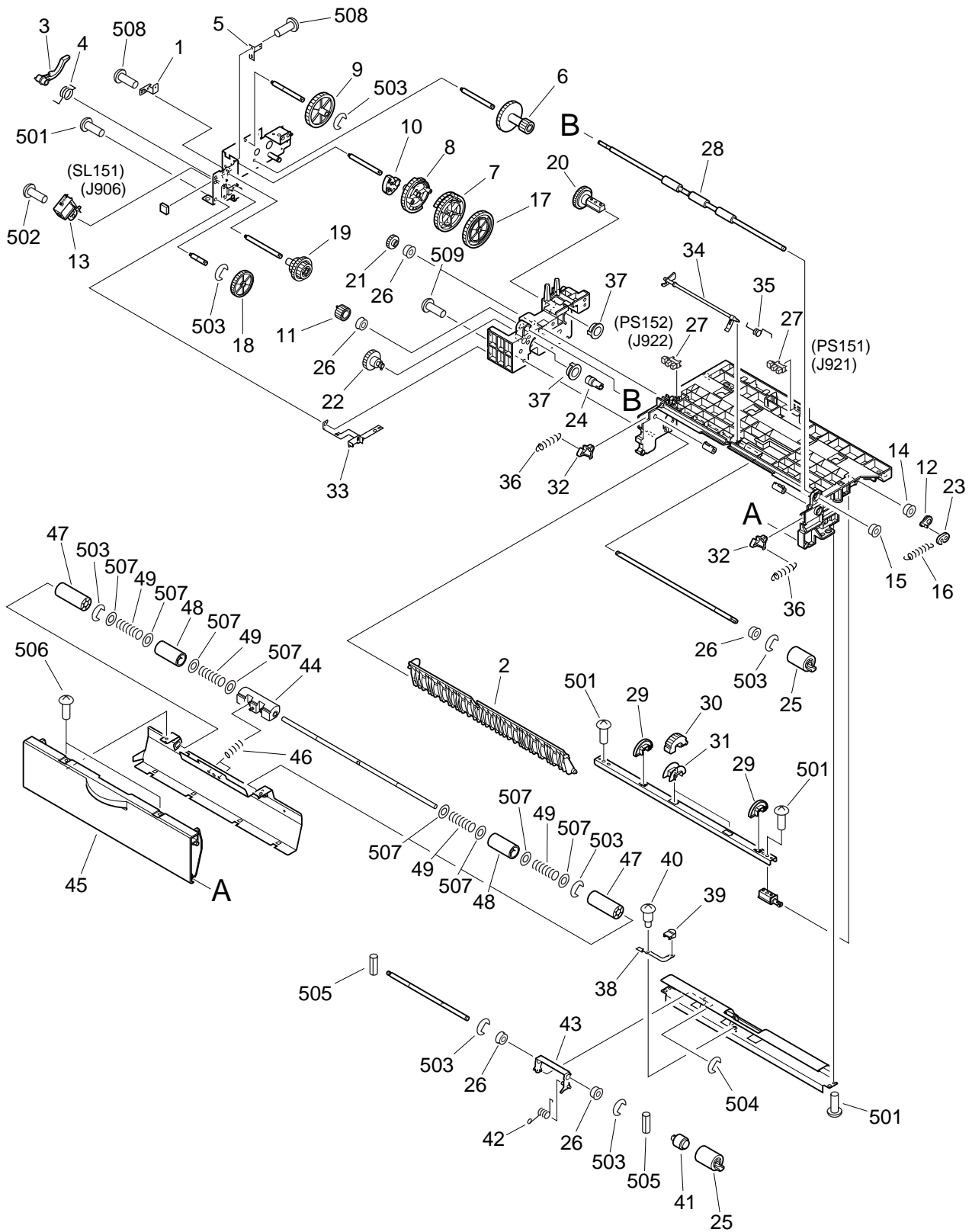


FIGURE & KEY NO.	PART NUMBER	R A N K	Q' T Y	DESCRIPTION	SERIAL NUMBER / REMARKS
R42 -	FG6-8442-000		1	PAPER PICK-UP ASSEMBLY	
1	FB6-1615-000		1	PLATE, GROUNDING	
2	FB6-1616-000		1	GUIDE, VERTICAL PATH	
3	FB6-1626-000		1	LEVER, COUPLING	
4	FB6-1627-000		1	SPRING, TORSION	
5	FB6-1628-000		1	PLATE, GROUNDING	
6	FB6-1632-000		1	GEAR, 16T/34T	
7	FB6-1633-000		1	GEAR, 27T/50T	
8	FB6-1634-000		1	GEAR, 29T	
9	FB6-1636-000		1	GEAR, 39T	
10	FB6-1660-000		1	CAM	
11	FB6-1905-000		1	GEAR, 14T	
12	FB6-1909-000		1	BUSHING	
13	FH6-5044-000		1	SOLENOID	SL151 J906
14	FS1-1205-000		1	BUSHING	
15	FS5-1854-000		1	BUSHING	
16	FS6-2915-000		1	SPRING, TENSION	
17	FS7-0225-000		1	GEAR, 53T	
18	FS7-0226-000		1	GEAR, 36T	
19	FS7-0227-000		1	GEAR, 21T/33T/22T	
20	FS7-0228-000		1	GEAR, 31T	
21	FS7-0229-000		1	GEAR, 18T	
22	FS7-0230-000		1	GEAR, 27T	
23	RB1-2190-000		1	COLLAR, SPRING	
24	RB1-8945-000		1	JOINT	
25	RF5-2634-000		2	ROLLER, SEPARATION	
26	RS1-1016-000		5	BUSHING	
27	WG8-5362-000		2	IC, TLP1241, PHOTO-INTERRUPTER	PS151,152 J921,922
28	FB6-1613-000		1	ROLLER, VERTICAL PATH	
29	FB4-5669-000		2	ROLLER	

FIGURE & KEY NO.	PART NUMBER	RANK	QTY	DESCRIPTION	SERIAL NUMBER / REMARKS
R42 - 30	FB4-9817-030		2	ROLLER, PICK-UP	
31	FE5-4048-000		2	BLOCK, PICK-UP ROLLER ADAPTER	
32	FB4-5672-000		2	PAWL, LOCK	
33	FB6-1614-000		1	PLATE, GROUNDING	
34	FB6-1623-000		1	ARM, FEED SENSOR	
35	FB6-1624-000		1	SPRING, TORSION	
36	FS6-2919-000		2	SPRING, TENSION	
37	RB1-6179-000		2	BUSHING, RIGHT	
38	FB6-1907-000		1	LEVER, RELEASE	
39	FB6-1908-000		1	CAP	
40	FS1-9009-000		1	SCREW, STEPPED, M3	
41	RB2-3320-000		1	LIMITER, TORQUE	
42	FB6-1902-000		1	SPRING, TORSION	
43	FF6-1610-000		1	HOLDER, SEPARATION ROLLER	
44	FB4-5671-000		1	MOUNT, ROLLER	
45	FB6-1629-000		1	PANEL, VERTICAL PATH	
46	FB6-1920-000		2	SPRING, COMPRESSION	
47	RB1-8922-000		2	ROLLER	
48	FB6-1996-000		2	ROLLER, VERTICAL PATH	
49	FB6-1997-000		4	SPRING, COMPRESSION	
501	XB4-7400-809		3	SCREW, TAPPING, TRUSS HEAD, M4X8	
502	XB6-7300-609		1	SCREW, TP, M3X6	
503	XD2-1100-502		7	RING, E	
504	XD2-1100-242		1	RING, E	
505	XD3-1200-122		2	PIN, SPRING	
506	XB1-2400-607		2	SCREW, MACH., TRUSS HEAD, M4X6	
507	XD1-1106-235		8	SHIM	
508	XB2-7300-607		2	SCREW, W/WASHER, M3X6	
509	XB4-7401-005		3	SCREW, TAPPING, TRUSS HEAD, M4X10	

FIGURE R43

PAPER PICK-UP ASSEMBLY (G1/H1 TYPE)

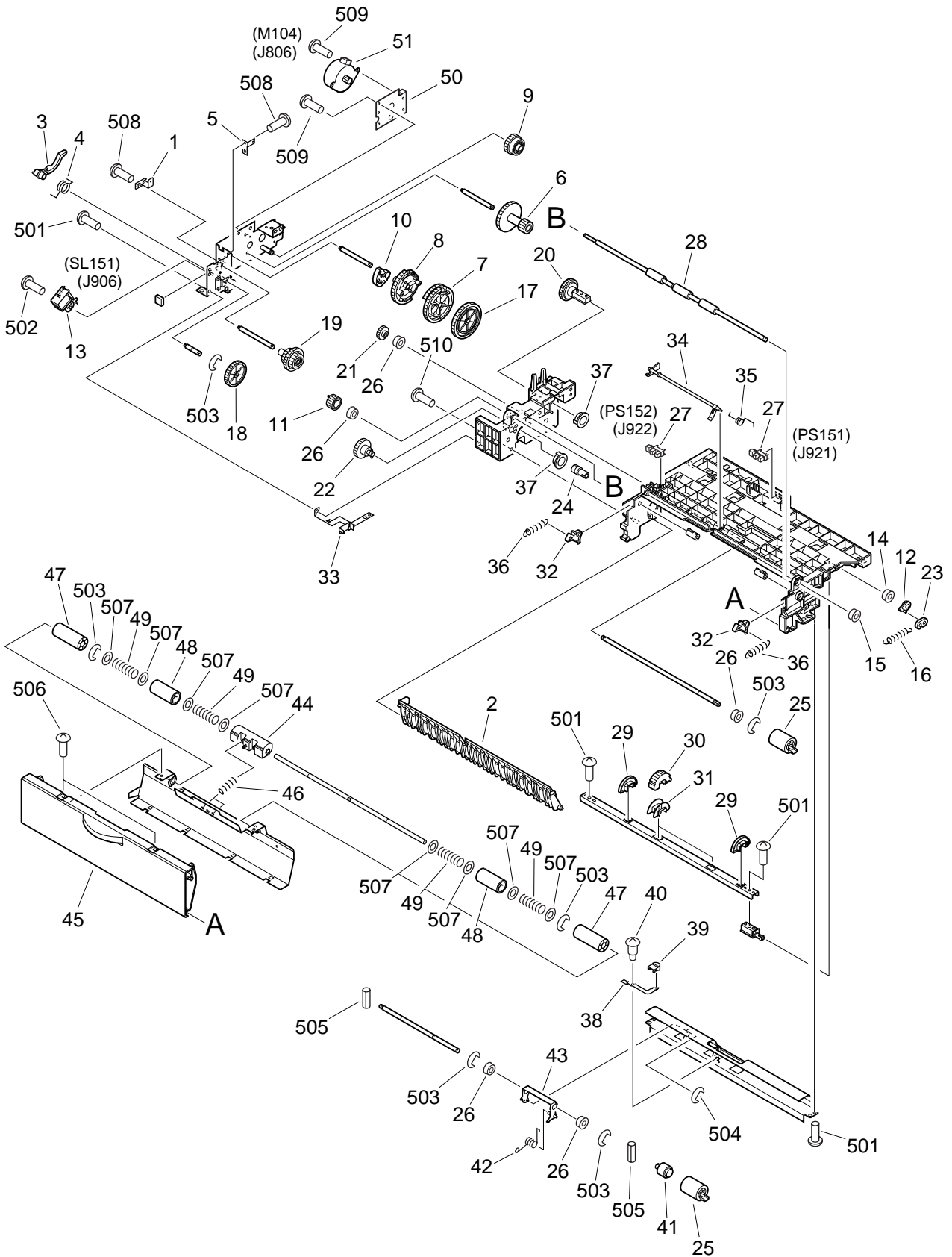


FIGURE & KEY NO.	PART NUMBER	RANK	QTY	DESCRIPTION	SERIAL NUMBER / REMARKS
R43 -	FG6-8630-000		1	PAPER PICK-UP ASSEMBLY	G1/H1 TYPE
1	FB6-1615-000		1	PLATE, GROUNDING	
2	FB6-1616-000		1	GUIDE, VERTICAL PATH	
3	FB6-1626-000		1	LEVER, COUPLING	
4	FB6-1627-000		1	SPRING, TORSION	
5	FB6-1628-000		1	PLATE, GROUNDING	
6	FB6-1632-000		1	GEAR, 16T/34T	
7	FB6-1633-000		1	GEAR, 27T/50T	
8	FB6-1634-000		1	GEAR, 29T	
9	FB6-1904-000		1	GEAR, 15T/39T	
10	FB6-1660-000		1	CAM	
11	FB6-1905-000		1	GEAR, 14T	
12	FB6-1909-000		1	BUSHING	
13	FH6-5044-000		1	SOLENOID	SL151 J906
14	FS1-1205-000		1	BUSHING	
15	FS5-1854-000		1	BUSHING	
16	FS6-2915-000		1	SPRING, TENSION	
17	FS7-0225-000		1	GEAR, 53T	
18	FS7-0226-000		1	GEAR, 36T	
19	FS7-0227-000		1	GEAR, 21T/33T/22T	
20	FS7-0228-000		1	GEAR, 31T	
21	FS7-0229-000		1	GEAR, 18T	
22	FS7-0230-000		1	GEAR, 27T	
23	RB1-2190-000		1	COLLAR, SPRING	
24	RB1-8945-000		1	JOINT	
25	RF5-2634-000		2	ROLLER, SEPARATION	
26	RS1-1016-000		5	BUSHING	
27	WG8-5362-000		2	IC, TLP1241, PHOTO-INTERRUPTER	PS151,152 J921,922
28	FB6-1613-000		1	ROLLER, VERTICAL PATH	
29	FB4-5669-000		2	ROLLER	

FIGURE & KEY NO.	PART NUMBER	RANK	QTY	DESCRIPTION	SERIAL NUMBER / REMARKS
R43 - 30	FB4-9817-030		2	ROLLER, PICK-UP	
31	FE5-4048-000		2	BLOCK, PICK-UP ROLLER ADAPTER	
32	FB4-5672-000		2	PAWL, LOCK	
33	FB6-1614-000		1	PLATE, GROUNDING	
34	FB6-1623-000		1	ARM, FEED SENSOR	
35	FB6-1624-000		1	SPRING, TORSION	
36	FS6-2919-000		2	SPRING, TENSION	
37	RB1-6179-000		2	BUSHING, RIGHT	
38	FB6-1907-000		1	LEVER, RELEASE	
39	FB6-1908-000		1	CAP	
40	FS1-9009-000		1	SCREW, STEPPED, M3	
41	RB2-3320-000		1	LIMITER, TORQUE	
42	FB6-1902-000		1	SPRING, TORSION	
43	FF6-1610-000		1	HOLDER, SEPARATION ROLLER	
44	FB4-5671-000		1	MOUNT, ROLLER	
45	FB6-1629-000		1	PANEL, VERTICAL PATH	
46	FB6-1920-000		2	SPRING, COMPRESSION	
47	RB1-8922-000		2	ROLLER	
48	FB6-1996-000		2	ROLLER, VERTICAL PATH	
49	FB6-1997-000		4	SPRING, COMPRESSION	
50	FB6-1903-000		1	SUPPORT, MOTOR	
51	RH7-1359-000		1	MOTOR, STEPPING, DC9.5W	M104 J806
501	XB4-7400-809		3	SCREW, TAPPING, TRUSS HEAD, M4X8	
502	XB6-7300-609		1	SCREW, TP, M3X6	
503	XD2-1100-502		6	RING, E	
504	XD2-1100-242		1	RING, E	
505	XD3-1200-122		2	PIN, SPRING	
506	XB1-2400-607		2	SCREW, MACH., TRUSS HEAD, M4X6	
507	XD1-1106-235		8	SHIM	
508	XB2-7300-607		2	SCREW, W/WASHER, M3X6	

FIGURE & KEY NO.	PART NUMBER	R A N K	Q' T Y	DESCRIPTION	SERIAL NUMBER / REMARKS
R43 - 509	XB1-2300-609		4	SCREW,MACH.,TRUSS HEAD,M3X6	
510	XB4-7401-005		3	SCREW,TAPPING,TRUSS HEAD,M4X10	

FIGURE RB1 LIST OF CONNECTORS (F1 TYPE)

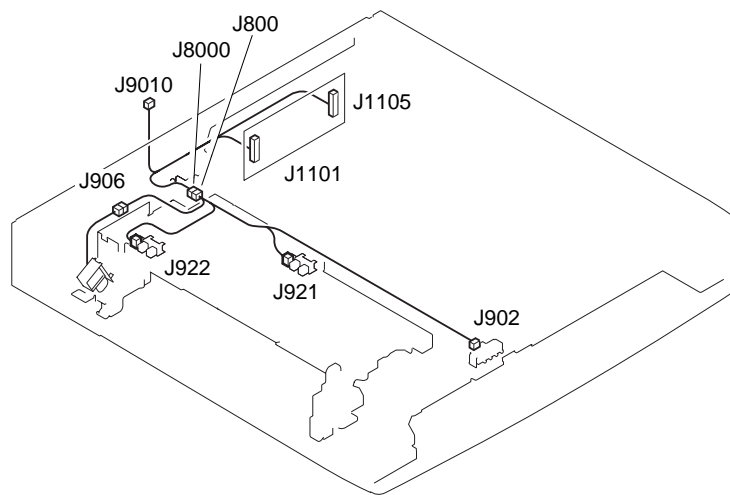


FIGURE & KEY NO.	PART NUMBER	RANK	QTY	DESCRIPTION	SERIAL NUMBER / REMARKS
R B1 -	NPN		RF	LIST OF CONNECTORS	F1 TYPE
J800	VS1-0842-013		1	CONNECTOR, 13P, FEMALE	
J902	NPN			PAPER SIZE SENSOR	SW105
	VS1-0842-005		1	CONNECTOR, 5P, FEMALE	
J906	NPN			CASSETTE PICK-UP SOLENOID	SL151
	VS1-0842-002		1	CONNECTOR, 2P, FEMALE	
	VS1-5057-002		1	CONNECTOR, SNAP TIGHT	
J921	NPN			CASSETTE PAPER SENSOR	PS151
	VS1-0842-003		1	CONNECTOR, 3P, FEMALE	
J922	NPN			RETRY SENSOR	PS152
	VS1-0842-003		1	CONNECTOR, 3P, FEMALE	
J1101	PCB			FEEDER DRIVER	
	VS1-0842-013		1	CONNECTOR, 13P, FEMALE	
J1105	PCB			FEEDER DRIVER	
	VS1-0842-011		1	CONNECTOR, 11P, FEMALE	
J8000	VS1-0842-013		1	CONNECTOR, 13P, FEMALE	
	VS1-5057-013		1	CONNECTOR, SNAP TIGHT	
J9010	SYS			TO COPIER	
	VS1-0842-011		1	CONNECTOR, 11P, FEMALE	
	VS1-5057-011		1	CONNECTOR, SNAP TIGHT	

FIGURE RB2 LIST OF CONNECTORS (G1 TYPE)

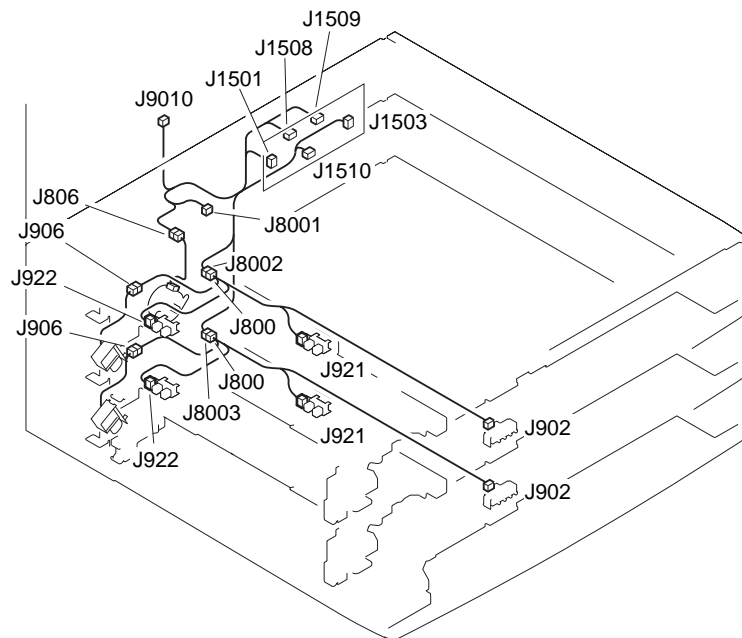


FIGURE & KEY NO.	PART NUMBER	RANK	QTY	DESCRIPTION	SERIAL NUMBER / REMARKS
R B2 -	NPN		RF	LIST OF CONNECTORS	G1 TYPE
J800	VS1-0842-013		2	CONNECTOR, 13P, FEMALE	
J806	NPN			PAPER PICK-UP MOTOR	M104
	VS1-5452-004		1	CONNECTOR, 4P, FEMALE	
	VS1-5820-004		1	CONNECTOR, SNAP TIGHT	
J902	NPN			PAPER SIZE SENSOR	SW105
	VS1-0842-005		2	CONNECTOR, 5P, FEMALE	
J906	NPN			CASSETTE PICK-UP SOLENOID	SL151
	VS1-0842-002		2	CONNECTOR, 2P, FEMALE	
	VS1-5057-002		2	CONNECTOR, SNAP TIGHT	
J921	NPN			CASSETTE PAPER SENSOR	PS151
	VS1-0842-003		2	CONNECTOR, 3P, FEMALE	
J922	NPN			RETRY SENSOR	PS152
	VS1-0842-003		2	CONNECTOR, 3P, FEMALE	
J1501	PCB			FEEDER DRIVER	
J1503	PCB			FEEDER DRIVER	
	VS1-0842-011		1	CONNECTOR, 11P, FEMALE	
	VS1-5452-004		1	CONNECTOR, 4P, FEMALE	
J1508	PCB			FEEDER DRIVER	
	VS1-0842-013		1	CONNECTOR, 13P, FEMALE	
J1509	PCB			FEEDER DRIVER	
	VS1-0842-014		1	CONNECTOR, 14P, FEMALE	
J1510	PCB			FEEDER DRIVER	
	VS1-0842-015		1	CONNECTOR, 15P, FEMALE	
J8001	SYS			TO COPIER	
J8002	VS1-0842-013		1	CONNECTOR, 13P, FEMALE	
	VS1-5057-013		1	CONNECTOR, SNAP TIGHT	
	VS1-0842-013		1	CONNECTOR, 13P, FEMALE	
	VS1-5057-013		1	CONNECTOR, SNAP TIGHT	
J8003	VS1-0842-013		1	CONNECTOR, 13P, FEMALE	

FIGURE & KEY NO.	PART NUMBER	R A N K	Q' T Y	DESCRIPTION	SERIAL NUMBER / REMARKS
R B2 - J8003 J9010	VS1-5057-013		1	CONNECTOR, SNAP TIGHT TO COPIER	
	SYS				
	VS1-0842-011		1	CONNECTOR, 11P, FEMALE	
	VS1-5057-011		1	CONNECTOR, SNAP TIGHT	

FIGURE RB3 LIST OF CONNECTORS (H1 TYPE)

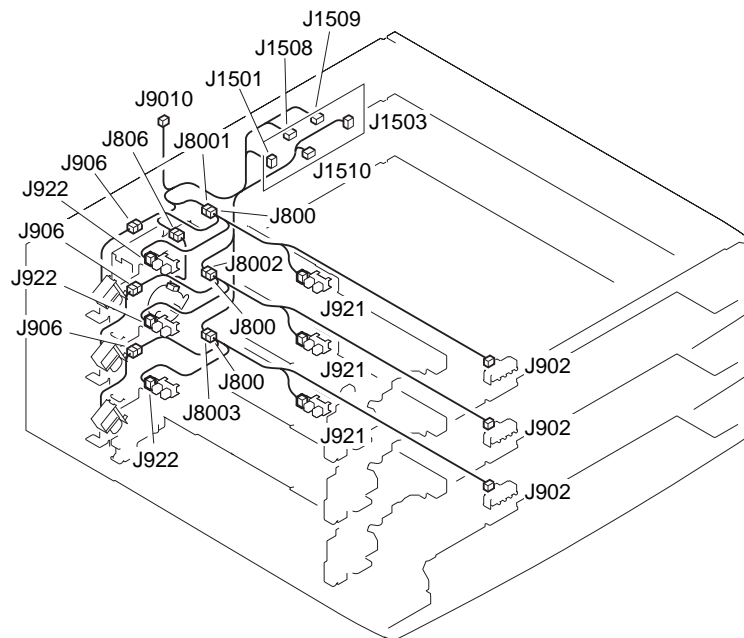


FIGURE & KEY NO.	PART NUMBER	R A N K	Q' T Y	DESCRIPTION	SERIAL NUMBER / REMARKS
R B3 -	NPN		RF	LIST OF CONNECTORS	H1 TYPE
J800	VS1-0842-013		3	CONNECTOR, 13P, FEMALE	
J806	NPN			PAPER PICK-UP MOTOR	M104
	VS1-5452-004		1	CONNECTOR, 4P, FEMALE	
	VS1-5820-004		1	CONNECTOR, SNAP TIGHT	
J902	NPN			PAPER SIZE SENSOR	SW105
	VS1-0842-005		3	CONNECTOR, 5P, FEMALE	
J906	NPN			CASSETTE PICK-UP SOLENOID	SL151
	VS1-0842-002		3	CONNECTOR, 2P, FEMALE	
	VS1-5057-002		3	CONNECTOR, SNAP TIGHT	
J921	NPN			CASSETTE PAPER SENSOR	PS151
	VS1-0842-003		3	CONNECTOR, 3P, FEMALE	
J922	NPN			RETRY SENSOR	PS152
	VS1-0842-003		3	CONNECTOR, 3P, FEMALE	
J1501	PCB			FEEDER DRIVER	
J1503	PCB			FEEDER DRIVER	
	VS1-0842-011		1	CONNECTOR, 11P, FEMALE	
	VS1-5452-004		1	CONNECTOR, 4P, FEMALE	
J1508	PCB			FEEDER DRIVER	
	VS1-0842-013		1	CONNECTOR, 13P, FEMALE	
J1509	PCB			FEEDER DRIVER	
	VS1-0842-014		1	CONNECTOR, 14P, FEMALE	
J1510	PCB			FEEDER DRIVER	
	VS1-0842-015		1	CONNECTOR, 15P, FEMALE	
J8001	VS1-0842-013		1	CONNECTOR, 13P, FEMALE	
J8002	VS1-5057-013		1	CONNECTOR, SNAP TIGHT	
	VS1-0842-013		1	CONNECTOR, 13P, FEMALE	
	VS1-5057-013		1	CONNECTOR, SNAP TIGHT	
J8003	VS1-0842-013		1	CONNECTOR, 13P, FEMALE	
	VS1-5057-013		1	CONNECTOR, SNAP TIGHT	

FIGURE & KEY NO.	PART NUMBER	R A N K	Q' T Y	DESCRIPTION	SERIAL NUMBER / REMARKS
R B3 - J9010	SYS			TO COPIER	
	VS1-0842-011		1	CONNECTOR, 11P, FEMALE	
	VS1-5057-011		1	CONNECTOR, SNAP TIGHT	

Inner 2-way Tray-B1

[F26 - 0501 XGP00001 -]
[F26 - 0501 XHF00001 -]

CONTENTS

– Inner 2-way Tray-B1 –

QA. ASSEMBLY LOCATION DIAGRAM

Q01. MOUNTING HARDWARE

Q30. DELIVERY ASSEMBLY

QB. LIST OF CONNECTORS

D3. NUMERICAL INDEX
(Inner 2-way Tray-B1)

FIGURE QA ASSEMBLY LOCATION DIAGRAM

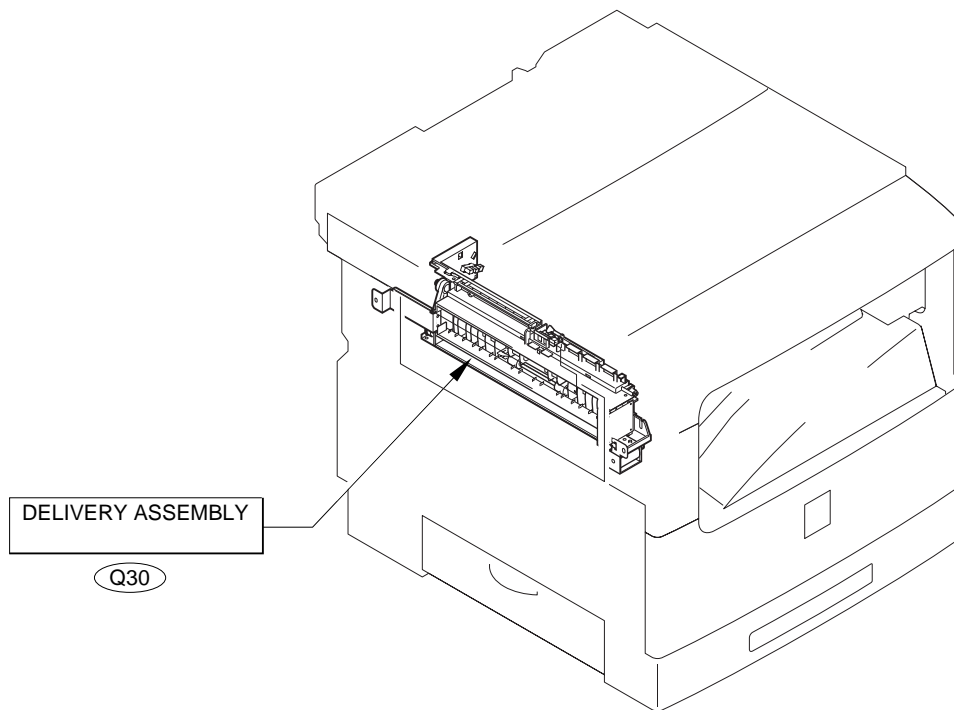


FIGURE Q01 MOUNTING HARDWARE

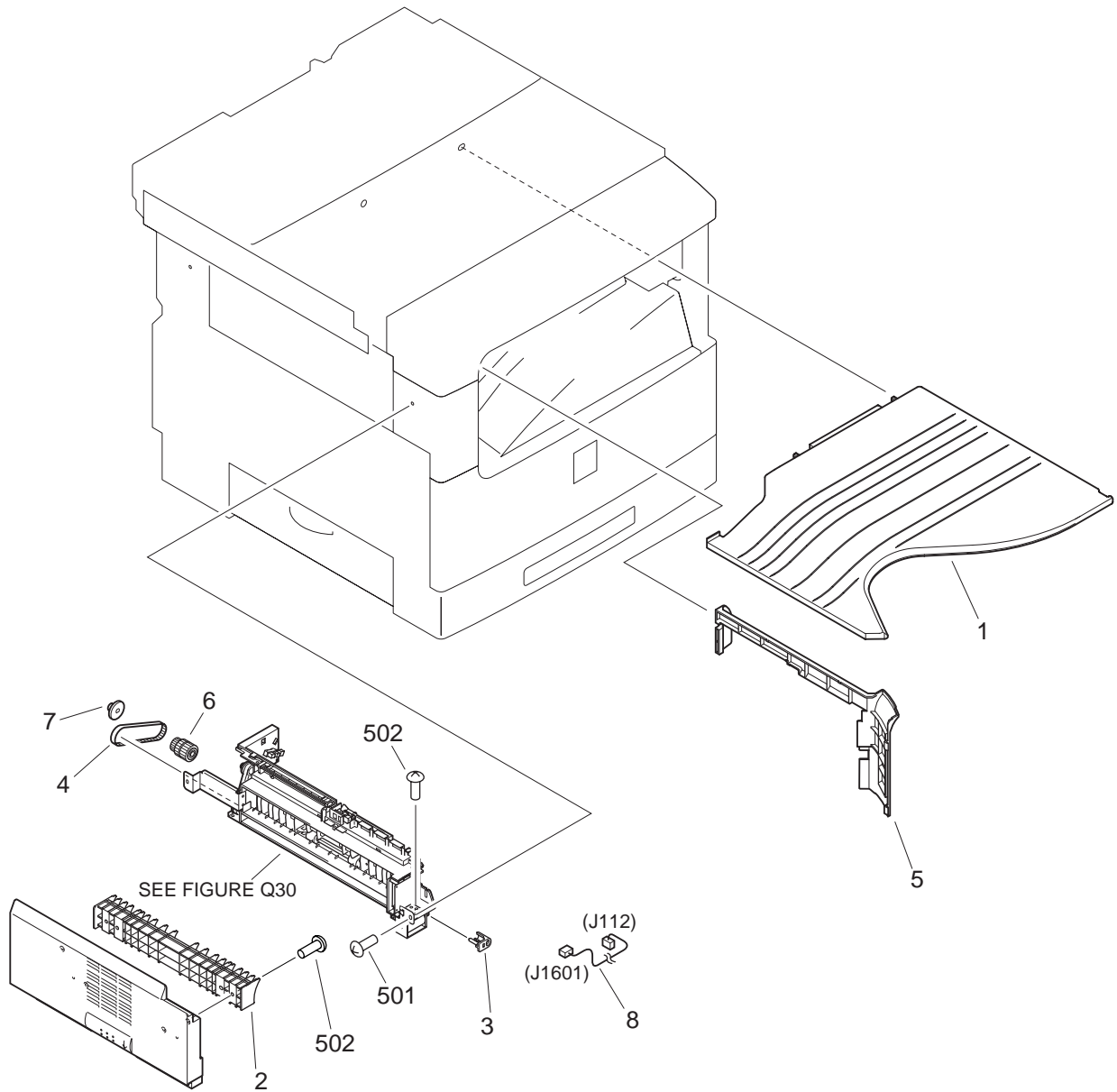


FIGURE & KEY NO.	PART NUMBER	RANK	QTY	DESCRIPTION	SERIAL NUMBER / REMARKS
Q01 -	NPN		RF	MOUNTING HARDWARE	
1	FB6-2450-000		1	TRAY, DELIVERY	
2	FB6-2451-000		1	GUIDE, DELIVERY, LEFT	
3	FB6-2454-000		1	PIN, SOLENOID	
4	FB6-2456-000		1	BELT, DRIVE	
5	FB6-2462-000		1	COVER, DELIVERY, UPPER	
6	FB6-2466-000		1	GEAR, 15T/PULLEY, 22T	
7	FS5-6932-000		1	FLANGE	
8	FG6-8489-000		1	CABLE, INNER 2WAY	J112,1601
501	XB2-7300-607		2	SCREW,W/WASHER,M3X6	
502	XB4-7400-809		4	SCREW,TAPPING,TRUSS HEAD,M4X8	

FIGURE & KEY NO.	PART NUMBER	R A N K	Q' T Y	DESCRIPTION	SERIAL NUMBER / REMARKS
Q30 -	NPN		RF	DELIVERY ASSEMBLY	
1	FB4-9814-000		2	HOLDER, ROLLER	
2	FB5-8126-000		1	BUSHING	
3	FB5-8129-000		1	BUSHING	
4	FB6-1494-000		4	HOLDER, DELIVERY ROLLER	
5	FB6-2452-000		1	FLAG, DELIVERY SENSOR	
6	FB6-2453-000		1	SPRING, TORSION	
7	FB6-2455-000		1	BELT, DRIVE	
8	FB6-2457-000		1	ROLLER, FEED	
9	FB6-2458-000		2	SPRING, COMPRESSION	
10	FB6-2461-000		1	ROLLER, DELIVERY	
11	FB6-2463-000		1	FLAG, SENSOR	
12	FB6-2464-000		4	SPRING, COMPRESSION	
13	FB6-2465-000		1	COVER, DELIVERY SENSOR	
14	FB6-2468-000		2	ROLLER	
15	FH7-5779-000		1	SOLENOID	SL201 J811
16	FS5-3977-000		1	PULLEY, 26T	
17	FS5-3978-000		1	PULLEY, 22T	
18	FS5-6932-000		2	FLANGE	
19	FS6-1045-000		2	BUSHING	
20	RB2-1998-000		4	ROLLER	
21	WG8-5362-000		2	IC, TLP1241, PHOTO-INTERRUPTER	SR201,202 J980,981
22	XD9-0192-000		2	RING, E	
23	FG6-8490-000		1	CABLE, INNER 2WAY SENSOR	J811,980,981,1602
23A	VS1-5057-002		1	CONNECTOR, SNAP TIGHT	J811
24	FG6-8667-000		1	TRAY DRIVER PCB ASSEMBLY	J1601,1602
25	RG9-1337-000		4	ROLLER, DELIVERY	
26	XA9-0591-000		1	SCREW,M3X8	
501	XB1-2300-609		3	SCREW,MACH.,TRUSS HEAD,M3X6	
502	XB2-8300-807		2	SCREW,W/WASHER,M3X8	

FIGURE & KEY NO.	PART NUMBER	R A N K	Q' T Y	DESCRIPTION	SERIAL NUMBER / REMARKS
Q30 - 503	XB4-5401-007		4	SCREW, M4X10	

FIGURE QB LIST OF CONNECTORS

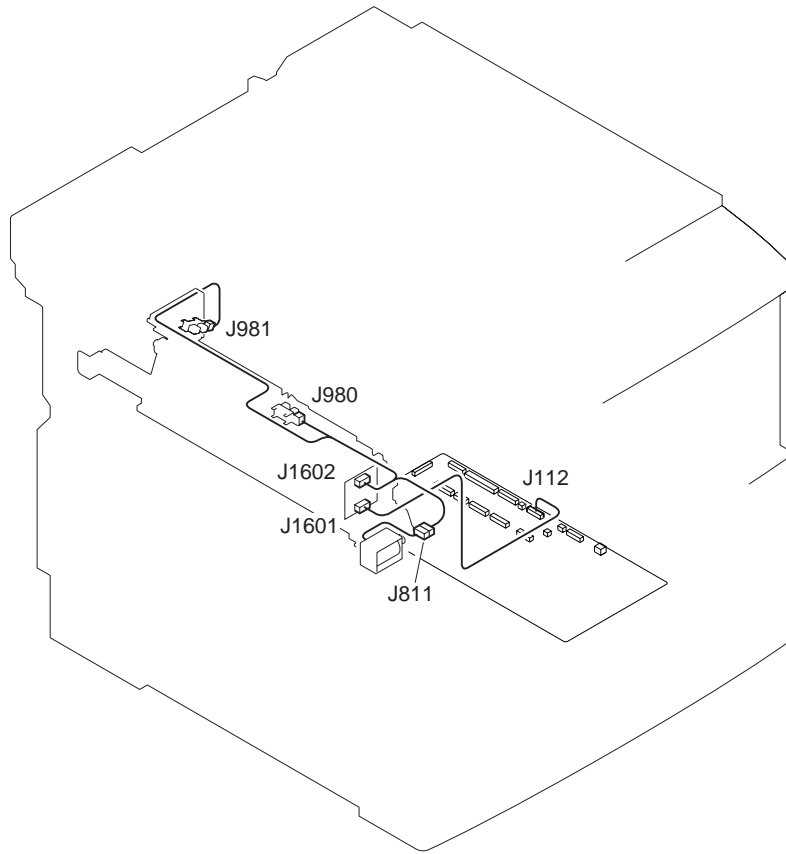


FIGURE & KEY NO.	PART NUMBER	RANK	QTY	DESCRIPTION	SERIAL NUMBER / REMARKS
Q B -	NPN		RF	LIST OF CONNECTORS	
J112	SYS			COPIER	
	VS1-6225-011		1	CONNECTOR, 11P, FEMALE	
J811	NPN			SOLENOID	SL101
	VS1-0842-002		1	CONNECTOR, 2P, FEMALE	
	VS1-5057-002		1	CONNECTOR, SNAP TIGHT	
J980	NPN			FULL SENSOR	SR201
	VS1-0842-003		1	CONNECTOR, 3P, FEMALE	
J981	NPN			DELIVERY SENSOR	SR202
	VS1-0842-003		1	CONNECTOR, 3P, FEMALE	
J1601	PCB			TRAY DRIVER	
	VS1-6225-011		1	CONNECTOR, 11P, FEMALE	
J1602	PCB			TRAY DRIVER	
	VS1-0842-008		1	CONNECTOR, 8P, FEMALE	

Printer Board-N1

Printer Board-N1

[F61 - 9303]

Ethernet Network Interface Adapter iN-E5

[F61 - 9315]

PS Module-B1

[F61 - 9302]

Hard Disk HD-65

[F61 - 8807]

CONTENTS

- PRINTER BOARD-N1 -

UA. ASSEMBLY LOCATION DIAGRAM

U10. PS/PCL PRINTER BOARD ASSEMBLY

U11. NETWORK I/F BOARD ASSEMBLY

U12. PS ROM

U13. HARD DISK

D4. NUMERICAL INDEX
(PRINTER BOARD-N1)

FIGURE UA ASSEMBLY LOCATION DIAGRAM

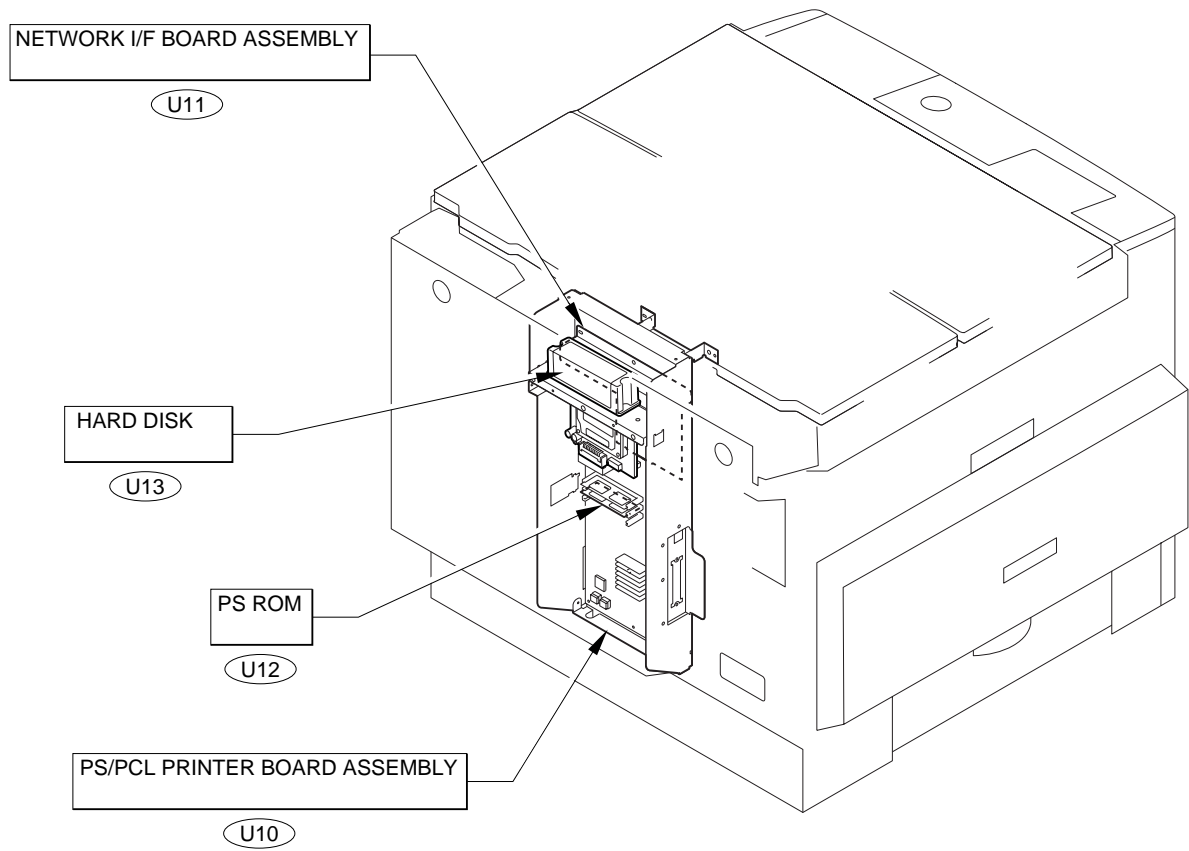


FIGURE U10 PS/PCL PRINTER BOARD ASSEMBLY

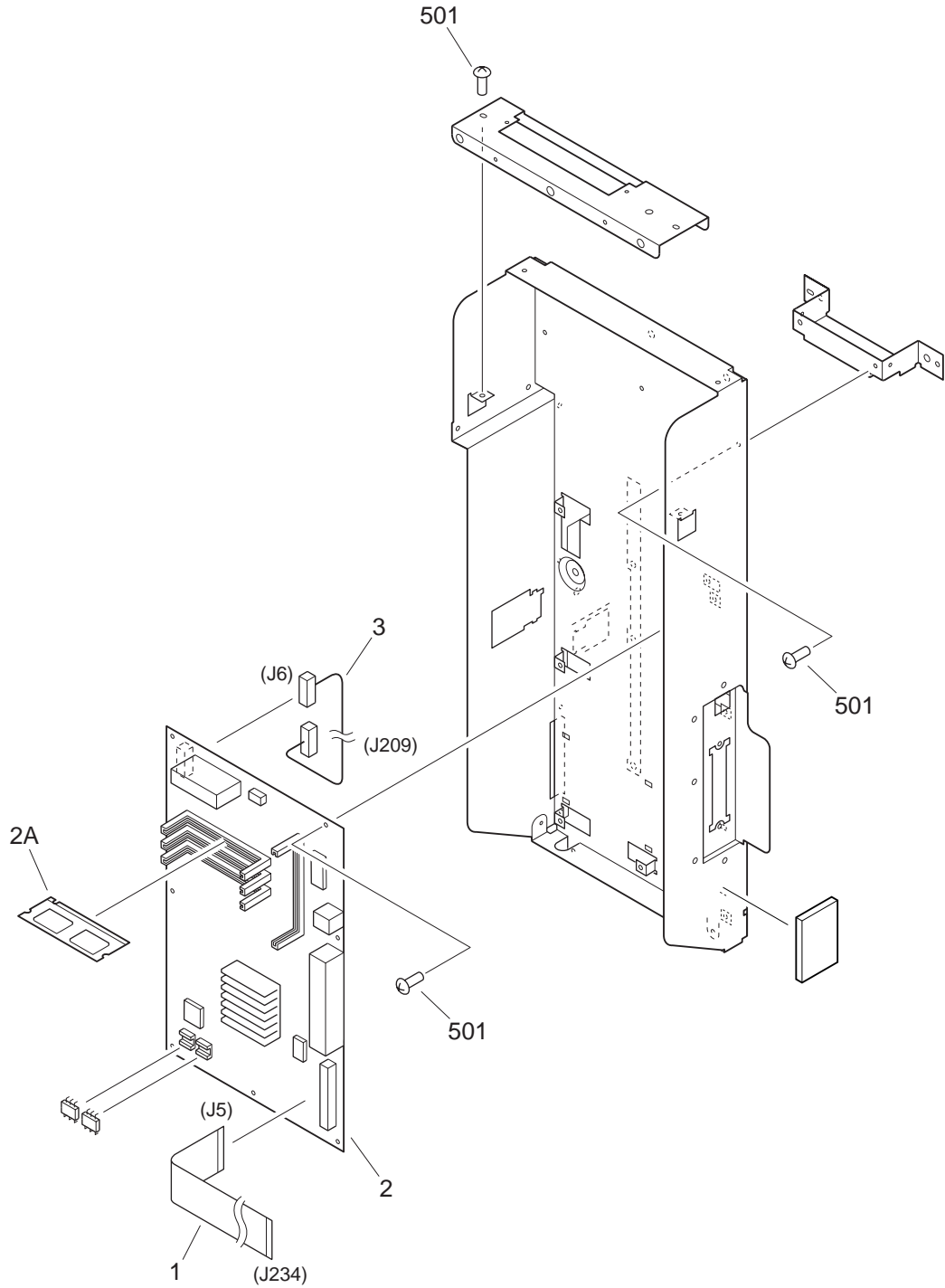


FIGURE U11 NETWORK I/F BOARD ASSEMBLY

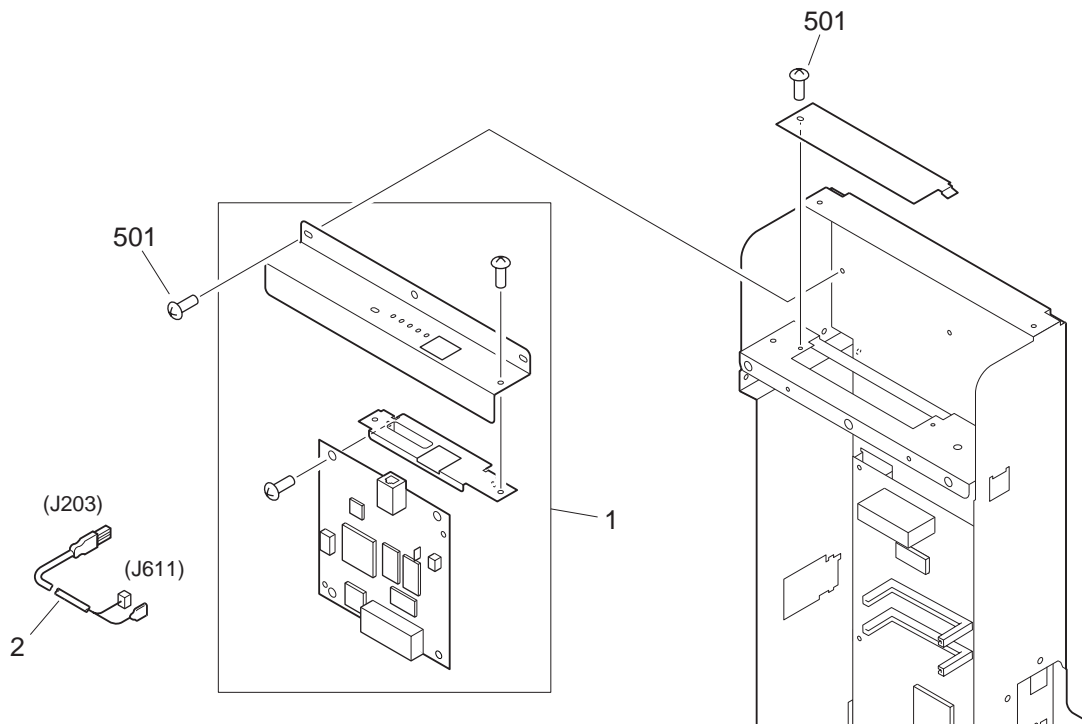


FIGURE & KEY NO.	PART NUMBER	RANK	QTY	DESCRIPTION	SERIAL NUMBER / REMARKS
U11 -	NPN		RF	NETWORK I/F BOARD ASSEMBLY	
1	FG6-8372-000		1	NETWORK I/F BOARD PCB ASSEMBLY	
2	FH2-6947-000		1	CABLE, USB	J203,611
501	XB1-2300-607		5	SCREW,MACH.,TRUSS HEAD,M3X6	

FIGURE U12 PS ROM

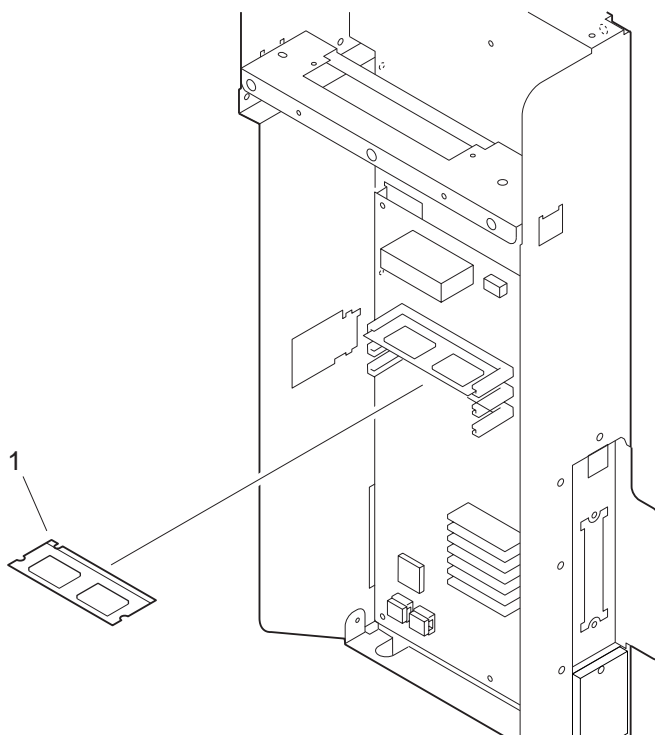


FIGURE & KEY NO.	PART NUMBER	RANK	QTY	DESCRIPTION	SERIAL NUMBER / REMARKS
U12 - 1	NPN FG3-2296-000		RF 1	PS ROM DIMM ASSEMBLY	

FIGURE U13 HARD DISK

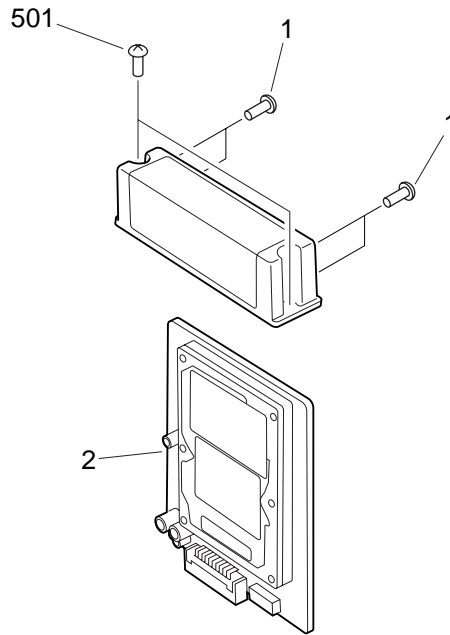


FIGURE & KEY NO.	PART NUMBER	RANK	QTY	DESCRIPTION	SERIAL NUMBER / REMARKS
U13 -	NPN		RF	HARD DISK	
1	XA9-1223-000		4	SCREW, TP, M3X6	
2	FG3-2162-000		1	HARD DISK DRIVE UNIT	
501	XB1-1300-807		2	SCREW, MACH., PAN HEAD, M3X8	

D1 NUMERICAL INDEX (iR1600/2000)

PART NUMBER	FIGURE & KEY NO.	PART NUMBER	FIGURE & KEY NO.	PART NUMBER	FIGURE & KEY NO.
FA4-1159-000	104 - 1	FB6-1382-000	102 - 3	FB6-1660-000	311 - 10
FB1-7157-000	100 - 6	FB6-1383-000	104 - 18	FB6-1669-000	102 - 16
FB3-2224-000	100 - 1	FB6-1384-000	104 - 19	FB6-1671-000	103 - 4
FB4-2007-000	104 - 11	FB6-1386-000	100 - 12	FB6-1672-000	100 - 16
FB4-3098-000	810 - 19	FB6-1387-000	102 - 4	FB6-1673-000	100 - 17
FB4-5502-000	100 - 26	FB6-1388-000	104 - 20	FB6-1692-000	100 - 18
FB4-5512-030	310 - 5	FB6-1392-000	810 - 45	FB6-1693-000	100 - 19
FB4-5532-000	310 - 6	FB6-1421-000	101 - 4	FB6-1694-000	100 - 20
FB4-5584-000	100 - 23	FB6-1422-000	101 - 5	FB6-1695-000	100 - 21
FB4-5669-000	311 - 29	FB6-1425-000	101 - 6	FB6-1700-000	102 - 17
FB4-5671-000	311 - 44	FB6-1426-000	101 - 7	FB6-1902-000	311 - 42
FB4-5672-000	311 - 32	FB6-1427-000	101 - 8	FB6-1905-000	311 - 11
	810 - 20	FB6-1429-000	101 - 9	FB6-1906-000	105 - 2
FB4-5673-000	810 - 21	FB6-1430-000	312 - 7	FB6-1907-000	311 - 38
FB4-5808-000	300 - 11A	FB6-1431-000	315 - 5	FB6-1908-000	311 - 39
FB4-5809-020	300 - 10A	FB6-1432-000	104 - 3	FB6-1909-000	311 - 12
FB4-5810-000	300 - 10C	FB6-1444-000	101 - 10	FB6-1910-000	310 - 10A
FB4-5813-000	300 - 10B	FB6-1446-000	104 - 5	FB6-1912-000	105 - 3
FB4-5814-000	300 - 6	FB6-1447-000	102 - 5	FB6-1913-000	105 - 4
FB4-5824-000	300 - 11B	FB6-1448-000	102 - 6	FB6-1917-000	310 - 8
FB4-9817-030	311 - 30	FB6-1450-000	102 - 7	FB6-1920-000	311 - 46
FB5-7940-000	640 - 22	FB6-1451-000	101 - 11	FB6-1941-000	100 - 22
FB5-7941-000	640 - 23	FB6-1452-000	101 - 12	FB6-1944-000	100 - 22
FB5-8013-000	101 - 1	FB6-1457-000	104 - 21	FB6-1971-000	315 - 9
FB5-8019-000	101 - 2	FB6-1458-000	104 - 22	FB6-1973-000	315 - 9
FB5-8020-000	101 - 3	FB6-1459-000	104 - 23	FB6-1974-000	310 - 9
FB5-8026-000	312 - 1	FB6-1460-000	102 - 8	FB6-1979-000	312 - 9
FB5-8027-000	312 - 2	FB6-1461-000	101 - 18	FB6-1996-000	311 - 48
FB5-8028-000	104 - 12	FB6-1462-000	315 - 10	FB6-1997-000	311 - 49
FB5-8032-000	104 - 2	FB6-1466-000	312 - 6	FB6-1999-000	810 - 7
FB5-8036-000	315 - 1	FB6-1486-000	810 - 36	FB6-2000-000	300 - 3
FB5-8037-000	315 - 2	FB6-1487-000	810 - 24	FB6-2008-000	640 - 1
FB5-8038-000	315 - 3	FB6-1488-000	810 - 27	FB6-2009-000	640 - 2
FB5-8039-000	315 - 4	FB6-1489-000	810 - 28	FB6-2012-000	640 - 19
FB5-8040-000	312 - 3	FB6-1491-000	810 - 1	FB6-2016-000	640 - 3
FB5-8047-000	104 - 13	FB6-1492-000	810 - 29	FB6-2017-000	640 - 4
FB5-8122-020	810 - 42	FB6-1493-000	810 - 2	FB6-2018-000	640 - 5
FB5-8123-020	810 - 43	FB6-1494-000	810 - 3	FB6-2019-000	640 - 6
FB5-8126-000	810 - 22	FB6-1498-000	810 - 4	FB6-2020-000	640 - 7
FB5-8129-000	810 - 23	FB6-1502-000	810 - 37	FB6-2021-000	640 - 8
FB5-8130-000	810 - 46	FB6-1504-000	103 - 3	FB6-2022-000	640 - 21
FB5-8132-010	810 - 55	FB6-1505-000	810 - 30	FB6-2024-000	640 - 9
FB5-8143-000	810 - 16	FB6-1507-000	810 - 31	FB6-2026-000	640 - 10
FB5-8149-000	810 - 48	FB6-1511-000	810 - 33	FB6-2028-000	640 - 11
FB5-8158-000	104 - 31	FB6-1514-000	810 - 51	FB6-2034-000	640 - 12
FB5-8166-000	312 - 4	FB6-1515-000	810 - 52	FB6-2037-000	640 - 13
FB5-8167-000	312 - 5	FB6-1517-000	810 - 5	FB6-2039-000	640 - 20
FB6-1236-000	210 - 7B	FB6-1542-000	810 - 6	FB6-2051-000	102 - 26
FB6-1237-000	210 - 7B	FB6-1546-000	810 - 25A	FB6-2053-000	102 - 9
FB6-1239-000	210 - 7A	FB6-1547-000	100 - 14	FB6-2054-000	102 - 27
FB6-1240-000	210 - 7A	FB6-1548-000	810 - 53	FB6-2055-000	102 - 28
FB6-1244-000	100 - 2	FB6-1549-000	810 - 44	FB6-2056-000	102 - 29
FB6-1252-000	103 - 21	FB6-1605-000	310 - 1	FB6-2057-000	102 - 30
FB6-1264-000	100 - 4	FB6-1606-000	105 - 1	FB6-2060-000	104 - 4
FB6-1265-000	100 - 5	FB6-1607-000	100 - 15	FB6-2061-000	102 - 1
FB6-1278-000	160 - 3		100 - 15	FB6-2062-000	102 - 10
FB6-1303-000	103 - 1	FB6-1608-000	310 - 7	FB6-2064-000	102 - 22
FB6-1304-000	103 - 7	FB6-1613-000	311 - 28	FB6-2065-000	102 - 23
FB6-1305-000	210 - 1	FB6-1614-000	311 - 33	FB6-2066-000	102 - 24
FB6-1309-000	100 - 7	FB6-1615-000	311 - 1	FB6-2067-000	102 - 31
FB6-1313-000	210 - 16	FB6-1616-000	311 - 2	FB6-2068-000	104 - 43
FB6-1316-000	210 - 17	FB6-1623-000	311 - 34	FB6-2069-000	104 - 44
FB6-1320-000	210 - 14	FB6-1624-000	311 - 35	FB6-2070-000	104 - 45
FB6-1321-000	210 - 15		810 - 38	FB6-2071-000	102 - 25
FB6-1323-000	210 - 23A	FB6-1625-000	310 - 2	FB6-2072-000	104 - 40
FB6-1324-000	210 - 2	FB6-1626-000	311 - 3	FB6-2074-000	104 - 41
FB6-1325-000	210 - 3	FB6-1627-000	311 - 4	FB6-2077-000	210 - 28
FB6-1326-000	103 - 8	FB6-1628-000	311 - 5	FB6-2081-000	130 - 1
FB6-1327-000	103 - 9	FB6-1629-000	311 - 45	FB6-2082-000	130 - 2
FB6-1328-000	103 - 10	FB6-1632-000	311 - 6	FB6-2084-000	130 - 3
FB6-1329-000	210 - 4	FB6-1633-000	311 - 7	FB6-2085-000	130 - 4
FB6-1331-000	160 - 1	FB6-1634-000	311 - 8	FB6-2086-000	130 - 5
FB6-1332-000	160 - 2	FB6-1636-000	311 - 9	FB6-2087-000	130 - 6
FB6-1339-000	210 - 18	FB6-1640-000	300 - 7	FB6-2088-000	130 - 7
FB6-1340-000	210 - 5	FB6-1644-000	300 - 8	FB6-2089-000	130 - 8
FB6-1350-000	103 - 2	FB6-1646-000	300 - 10D	FB6-2090-000	130 - 9
FB6-1351-000	100 - 8	FB6-1648-000	300 - 17	FB6-2091-000	130 - 17
FB6-1352-000	100 - 9	FB6-1649-000	300 - 10E	FB6-2092-000	130 - 10
FB6-1353-000	100 - 10	FB6-1654-000	300 - 12	FB6-2093-000	130 - 18
FB6-1357-000	210 - 12	FB6-1656-000	300 - 15	FB6-2094-000	130 - 11
FB6-1358-000	210 - 13		300 - 15	FB6-2095-000	130 - 12
FB6-1364-000	104 - 15	FB6-1657-000	300 - 13	FB6-2096-000	130 - 13
FB6-1368-000	104 - 16	FB6-1658-000	300 - 14	FB6-2097-000	130 - 14
FB6-1372-000	104 - 17	FB6-1659-000	300 - 16	FB6-2098-000	130 - 15
FB6-1380-000	102 - 2		300 - 16	FB6-2099-000	130 - 16

PART NUMBER	FIGURE & KEY NO.	PART NUMBER	FIGURE & KEY NO.	PART NUMBER	FIGURE & KEY NO.
FB6-2121-000	130 - 18	FG6-8495-000	104 - 34	FU3-0130-000	260 - 11
FB6-2127-000	100 - 3	FG6-8498-000	102 - 19	PCB	B - J101
FB6-2130-000	130 - 17	FG6-8499-000	104 - 35		B - J102
FB6-2131-000	130 - 17	FG6-8500-000	104 - 36		B - J103
FB6-2132-000	130 - 17	FG6-8647-000	105 - 6		B - J104
FB6-2133-000	130 - 17	FG6-8879-000	103 - 22		B - J105
FB6-2134-000	130 - 18	FG6-8880-000	103 - 22		B - J106
FB6-2135-000	130 - 18	FG6-8881-000	106 - 3		B - J107
FB6-2136-000	130 - 18	FG6-8884-000	106 - 2		B - J108
FB6-2137-000	102 - 15	FG6-8887-000	130 - 20		B - J110
FB6-2138-000	104 - 46	FG6-8888-000	130 - 21		B - J113
FB6-2139-000	104 - 47	FG6-8889-000	106 - 6		B - J120
FB6-2140-000	102 - 20	FG6-8890-000	104 - 14		B - J121
FB6-2141-000	100 - 27	FG6-8891-000	106 - 5		B - J122
FB6-2142-000	100 - 27	FH2-6894-000	102 - 11		B - J123
FB6-2143-000	100 - 27		B - J105		B - J201
FB6-2144-000	100 - 27		B - J122		B - J206
FB6-2145-000	100 - 27	FH2-6942-000	103 - 14		B - J212
FE5-3634-000	160 - 4		B - J104		B - J221
FE5-4048-000	311 - 31		B - J235		B - J235
FE5-4380-000	160 - 5	FH2-6945-000	103 - 5		B - J244
FF6-0970-000	312 - 8		B - J263		B - J263
FF6-1610-000	311 - 43		B - J311		B - J311
FF6-1630-000	100 - 13	FH2-6948-000	106 - 1		B - J313
FF6-1631-000	100 - 11		B - J221		B - J314
FF6-1670-000	104 - 25		B - J403		B - J315
FF6-1671-000	104 - 26	FH2-6965-000	102 - 13		B - J317
FF6-1700-000	100 - 24	FH2-6966-000	102 - 32		B - J318
FF6-1727-000	210 - 7	FH3-2645-000	102 - 12		B - J319
FF6-1728-000	210 - 7	FH5-3230-000	102 - 14		B - J321
FF6-1732-000	315 - 6	FH6-0813-000	130 - 19		B - J401
FF6-1734-000	640 - 14	FH6-1832-000	104 - 6		B - J402
FF6-1736-000	640 - 15	FH6-1835-000	102 - 18		B - J403
FF6-1737-000	640 - 16	FH6-1948-000	210 - 19		B - J404
FF6-1738-000	104 - 24	FH6-5001-000	104 - 7		B - J901
FF6-1742-000	210 - 6	FH6-5044-000	311 - 13		B - J903
FF6-1745-000	810 - 39	FH7-4731-000	810 - 54		B - J1101
FF6-1750-000	300 - 1	FH7-5996-000	104 - 8		B - J1105
FF6-1751-000	300 - 2	FH7-7569-000	210 - 9		
FF6-1759-000	210 - 8		210 - 9	RB1-2190-000	311 - 23
	B - J401	FL5-0550-000	160 - 6	RB1-6179-000	311 - 37
	B - J930	FS1-1205-000	311 - 14	RB1-8922-000	311 - 47
FF6-1766-000	104 - 42		810 - 34	RB1-8945-000	311 - 24
FG6-7127-000	104 - 10	FS1-9009-000	311 - 40	RB2-1998-000	810 - 10
FG6-8208-000	130 -	FS1-9010-000	810 - 49	RB2-3320-000	311 - 41
FG6-8209-000	130 -	FS5-1438-000	640 - 17	RF5-2634-000	311 - 25
FG6-8210-000	130 -	FS5-1854-000	311 - 15	RG9-1337-000	810 - 32
FG6-8211-000	130 -	FS5-9709-000	104 - 9	RH2-5229-000	102 - 33
FG6-8259-000	210 - 21	FS5-9742-000	103 - 6	RS1-1016-000	311 - 26
FG6-8261-000	210 - 22	FS6-2915-000	311 - 16	RS5-1496-000	810 - 35
FG6-8266-000	160 -	FS6-2917-000	300 - 9	VS1-0842-002	B - J904
FG6-8308-000	312 -	FS6-2919-000	311 - 36		B - J905
FG6-8309-000	315 -	FS7-0207-000	300 - 4		B - J906
FG6-8359-000	210 - 23	FS7-0225-000	311 - 17	VS1-0842-003	B - J113
FG6-8360-000	210 - 24	FS7-0226-000	311 - 18		B - J317
FG6-8384-000	103 - 13	FS7-0227-000	311 - 19		B - J404
FG6-8411-000	810 - 25	FS7-0228-000	311 - 20		B - J808
FG6-8413-000	640 -	FS7-0229-000	311 - 21		B - J908
FG6-8414-000	640 - 18	FS7-0230-000	311 - 22		B - J909
FG6-8421-000	130 -	FS7-0970-000	260 - 1		B - J910
FG6-8440-000	310 - 10	FS7-0977-000	260 - 2		B - J916
FG6-8442-000	311 -	FS7-0979-000	101 - 13		B - J920
FG6-8448-000	300 - 10	FS7-0980-000	315 - 7		B - J921
FG6-8449-000	300 - 11	FS7-0982-000	810 - 8		B - J921
FG6-8452-000	810 -	FS7-0983-000	810 - 9		B - J922
FG6-8455-000	106 - 4	FS7-0984-000	810 - 56		B - J922
FG6-8458-000	210 - 25	FS7-2584-000	101 - 14		B - J951
FG6-8459-000	103 - 15	FS7-2585-000	104 - 27		B - J970
FG6-8460-000	103 - 16	FS7-2587-000	104 - 28		B - J972
FG6-8461-000	103 - 17	FS7-2589-000	104 - 29		B - J974
FG6-8462-000	210 - 26	FS7-2590-000	104 - 30		B - J975
FG6-8463-000	210 - 27	FS7-2595-000	810 - 14		B - J999
FG6-8464-000	103 - 18	FS7-2596-000	810 - 17	VS1-0842-004	B - J318
FG6-8468-000	104 - 33	FS7-2597-000	810 - 57		B - J911
FG6-8470-000	104 - 37	FS7-2602-000	101 - 15	VS1-0842-005	B - J902
FG6-8480-000	103 - 19	FS7-2712-000	315 - 8		B - J902
FG6-8481-000	104 - 38	FS7-8267-000	810 - 15	VS1-0842-006	B - J314
FG6-8482-000	310 - 11	FU3-0122-000	260 - 3		B - J913
FG6-8483-000	104 - 39	FU3-0123-000	260 - 4		B - J980
FG6-8484-000	810 - 26	FU3-0124-000	260 - 5	VS1-0842-007	B - J801
FG6-8485-000	810 - 25C	FU3-0125-000	260 - 6	VS1-0842-008	B - J907
FG6-8486-000	103 - 20	FU3-0126-000	260 - 7	VS1-0842-011	B - J101
FG6-8487-000	810 - 18	FU3-0127-000	260 - 8		B - J1105
FG6-8488-000	810 - 47	FU3-0128-000	260 - 9		B - J9010
FG6-8491-000	105 - 7	FU3-0129-000	260 - 10		B - J9010

PART NUMBER	FIGURE & KEY NO.	PART NUMBER	FIGURE & KEY NO.	PART NUMBER	FIGURE & KEY NO.
VS1-0842-013	B - J800	WS3-5682-000	B - J914		
	B - J800		B - J943		
	B - J1101	XA9-0385-000	105 - 8		
	B - J8000		310 - 3		
VS1-0852-003	B - J315	XA9-0605-000	300 - 5		
	B - J402		810 - 40		
	B - J971	XA9-0629-000	100 - 25		
	B - J976		102 - 21		
VS1-0852-006	B - J319		105 - 5		
VS1-0853-003	B - J973	XA9-0870-000	101 - 16		
VS1-5057-002	102 - 19A	XA9-0901-000	810 - 13		
	104 - 38A	XA9-1116-000	101 - 17		
	310 - 11A	XA9-1206-000	810 - 41		
	B - J904	XA9-1279-000	810 - 12		
	B - J905	XB1-2300-407	100 - 503		
	B - J906		210 - 501		
	B - J906	XB1-2300-606	101 - 501		
	B - J943	XB1-2300-607	100 - 501		
VS1-5057-003	104 - 38B		102 - 510		
	B - J916		103 - 505		
	B - J951	XB1-2300-609	102 - 503		
VS1-5057-006	103 - 19A		103 - 501		
	B - J913		640 - 504		
VS1-5057-007	103 - 19B	XB1-2400-607	311 - 506		
	B - J801	XB1-2400-609	103 - 504		
VS1-5057-011	105 - 7A	XB1-2401-809	102 - 504		
	B - J9010	XB2-5400-607	100 - 506		
VS1-5057-013	104 - 38C	XB2-7300-607	105 - 501		
	105 - 7B		106 - 501		
	B - J800		311 - 508		
	B - J8000	XB2-8300-607	810 - 505		
VS1-5452-012	B - J212	XB2-8300-806	105 - 503		
	B - J903		106 - 502		
VS1-5452-014	B - J901	XB2-8300-807	103 - 503		
VS1-5729-003	B - J807	XB3-6300-800	102 - 509		
VS1-5824-002	B - J943	XB3-6400-800	102 - 507		
VS1-5824-003	B - J808	XB4-5300-609	315 - 501		
	B - J914	XB4-5300-809	130 - 501		
VS1-5824-007	B - J801	XB4-5401-007	100 - 504		
VS1-6084-012	B - J212		102 - 511		
VS1-6197-024	B - J212		105 - 502		
VS1-6198-003	810 - 26A		310 - 501		
	B - J808	XB4-7300-609	102 - 501		
VS1-6225-003	B - J108	XB4-7300-809	100 - 505		
VS1-6225-006	B - J805		102 - 508		
	B - J806		104 - 501		
VS1-6225-012	B - J103		640 - 501		
VS1-6225-013	B - J110		810 - 501		
VS1-6225-015	B - J102	XB4-7400-809	102 - 505		
VS1-6225-016	B - J106		103 - 506		
VS1-6302-004	B - J123		104 - 502		
	B - J321		311 - 501		
VS1-6313-011	B - J206	XB4-7401-005	311 - 509		
VS1-6492-006	210 - 26A	XB4-7401-009	160 - 501		
	210 - 27A	XB4-7401-205	100 - 502		
	B - J805		260 - 501		
	B - J806	XB4-7401-609	104 - 505		
VS1-6695-020	B - J121	XB4-7403-509	102 - 502		
	B - J201	XB6-7300-606	102 - 506		
VS3-0143-002	B - J244	XB6-7300-607	210 - 503		
VS3-5083-000	B - J807	XB6-7300-609	311 - 502		
VS3-5083-002	B - J107	XD1-1106-213	810 - 503		
VS3-5121-002	B - J915	XD1-1106-219	810 - 504		
VS3-5122-002	B - J915	XD1-1106-235	311 - 507		
VS3-5122-003	B - J120	XD1-1108-219	104 - 503		
WC2-5332-000	310 - 10B	XD2-1100-242	311 - 504		
WC4-5126-000	104 - 38D	XD2-1100-322	640 - 502		
WE8-0051-000	105 - 7C	XD2-1100-402	101 - 502		
WG8-5362-000	103 - 11		103 - 502		
	104 - 32	XD2-1100-502	101 - 503		
	210 - 10		104 - 504		
	311 - 27		210 - 502		
	810 - 11		311 - 503		
	810 - 25B		640 - 503		
WS3-1105-000	B - J244		810 - 502		
WS3-5160-000	B - J107	XD3-1200-122	311 - 505		
	B - J807	XF9-0355-000	210 - 20		
WS3-5292-000	B - J120	XF9-0728-000	210 - 11		
	B - J915	XG9-0390-000	103 - 12		
WS3-5301-000	B - J807	XG9-0473-000	810 - 50		
WS3-5569-000	B - J121	XH9-0127-000	310 - 4		
	B - J123				
	B - J201				
	B - J321				
WS3-5682-000	B - J808				

D2 NUMERICAL INDEX (Cassette Feeding Module-F1/G1/H1)

PART NUMBER	FIGURE & KEY NO.	PART NUMBER	FIGURE & KEY NO.	PART NUMBER	FIGURE & KEY NO.
FB4-5512-030	R40 - 5	FB6-1996-000	R42 - 48	VS1-0842-011	R B2 - J1501
FB4-5532-000	R41 - 5	FB6-1997-000	R43 - 48		R B2 - J9010
FB4-5669-000	R40 - 6		R42 - 49		R B3 - J1501
FB4-5671-000	R41 - 6	FE5-4048-000	R43 - 49	VS1-0842-013	R B3 - J9010
FB4-5672-000	R42 - 29	FF6-1610-000	R42 - 31		R B1 - J800
FB4-9817-030	R43 - 29	FG6-8440-000	R43 - 31		R B1 - J1101
FB6-1605-000	R42 - 44	FG6-8442-000	R42 - 43		R B1 - J8000
FB6-1607-000	R43 - 44	FG6-8482-000	R43 - 43		R B2 - J800
FB6-1608-000	R42 - 32	FG6-8491-000	R40 - 10		R B2 - J1508
FB6-1613-000	R43 - 32	FG6-8492-000	R41 - 10		R B2 - J8001
FB6-1614-000	R42 - 30	FG6-8630-000	R42 -		R B2 - J8002
FB6-1615-000	R43 - 30	FG6-8647-000	R40 - 11	VS1-0842-014	R B2 - J8003
FB6-1616-000	R40 - 1	FG6-8648-000	R41 - 11		R B3 - J800
FB6-1623-000	R41 - 1	FH6-5044-000	R11 - 8	VS1-0842-015	R B3 - J1508
FB6-1624-000	R11 - 1	FS1-1205-000	R12 - 8		R B3 - J8001
FB6-1625-000	R12 - 1	FS1-9009-000	R13 - 8	VS1-5057-002	R B3 - J8003
FB6-1626-000	R13 - 1	FS5-1854-000	R43 -		R B3 - J8002
FB6-1627-000	R40 - 7	FS6-2915-000	R11 - 9		R B2 - J1509
FB6-1628-000	R41 - 7	FS6-2919-000	R12 - 9		R B3 - J1509
FB6-1629-000	R42 - 28	FS7-0225-000	R13 - 9		R B2 - J1510
FB6-1632-000	R43 - 28	FS7-0226-000	R42 - 13		R B3 - J1510
FB6-1633-000	R42 - 33	FS7-0227-000	R43 - 13		R40 - 11A
FB6-1634-000	R43 - 33	FS7-0228-000	R42 - 14		R41 - 11A
FB6-1636-000	R42 - 1	FS7-0229-000	R43 - 14		R B1 - J906
FB6-1642-000	R43 - 1	FS7-0230-000	R42 - 14		R B2 - J906
FB6-1656-000	R42 - 2	PCB	R43 - 14	VS1-5057-011	R B3 - J906
FB6-1659-000	R42 - 2		R42 - 40		R11 - 8A
FB6-1660-000	R43 - 2		R43 - 40		R12 - 8A
FB6-1666-000	R43 - 2		R42 - 15		R13 - 8A
FB6-1902-000	R42 - 34		R43 - 15		R B1 - J9010
FB6-1903-000	R43 - 34		R42 - 16		R B2 - J9010
FB6-1904-000	R42 - 35		R43 - 16		R B3 - J9010
FB6-1905-000	R43 - 35		R42 - 36		R11 - 8B
FB6-1906-000	R40 - 2		R43 - 36	VS1-5057-013	R12 - 8B
FB6-1907-000	R41 - 2		R42 - 17		R13 - 8B
FB6-1908-000	R42 - 3		R43 - 17		R B1 - J8000
FB6-1909-000	R43 - 3		R42 - 18		R B2 - J8001
FB6-1910-000	R42 - 4		R43 - 18		R B2 - J8002
FB6-1913-000	R43 - 4		R42 - 19		R B2 - J8003
FB6-1917-000	R42 - 5		R43 - 19		R B3 - J8001
FB6-1920-000	R43 - 5		R42 - 20		R B3 - J8002
FB6-1920-000	R42 - 45		R43 - 20		R B3 - J8003
FB6-1920-000	R43 - 45		R42 - 21		R B2 - J806
FB6-1920-000	R42 - 6		R43 - 21		R B2 - J1503
FB6-1920-000	R43 - 6		R42 - 22	VS1-5452-004	R B3 - J806
FB6-1920-000	R42 - 7		R43 - 22		R B3 - J1503
FB6-1920-000	R43 - 7		R B1 - J1101		R B3 - J1503
FB6-1920-000	R42 - 8		R B1 - J1105	VS1-5820-004	R12 - 8C
FB6-1920-000	R43 - 8		R B2 - J1501		R13 - 8C
FB6-1920-000	R42 - 9		R B2 - J1503		R B2 - J806
FB6-1920-000	R11 - 2		R B2 - J1508		R B3 - J806
FB6-1920-000	R12 - 2		R B2 - J1509		R40 - 10B
FB6-1920-000	R13 - 2		R B2 - J1510	WC2-5332-000	R41 - 10B
FB6-1920-000	R11 - 3		R B3 - J1501		R11 - 8C
FB6-1920-000	R12 - 3		R B3 - J1503	WE8-0051-000	R12 - 8D
FB6-1920-000	R13 - 3		R B3 - J1508		R13 - 8D
FB6-1920-000	R11 - 4		R B3 - J1509	WG8-5362-000	R42 - 27
FB6-1920-000	R12 - 4		R B3 - J1510		R43 - 27
FB6-1920-000	R13 - 4		R42 - 23	XA9-0385-000	R11 - 7
FB6-1920-000	R42 - 10	RB1-2190-000	R43 - 23		R12 - 7
FB6-1920-000	R43 - 10	RB1-6179-000	R42 - 37		R13 - 7
FB6-1920-000	R42 - 42	RB1-8922-000	R43 - 37		R40 - 3
FB6-1920-000	R43 - 42	RB1-8945-000	R42 - 47		R41 - 3
FB6-1920-000	R43 - 50	RB2-3320-000	R43 - 47		R43 - 509
FB6-1920-000	R43 - 9	RF5-2634-000	R42 - 24	XB1-2300-609	R42 - 506
FB6-1920-000	R42 - 11	RH7-1359-000	R43 - 24	XB1-2400-607	R43 - 506
FB6-1920-000	R43 - 11	RS1-1016-000	R42 - 41	XB2-7300-607	R42 - 508
FB6-1920-000	R11 - 5	VS1-0842-002	R43 - 41		R43 - 508
FB6-1920-000	R12 - 5	VS1-0842-003	R42 - 25	XB2-8300-806	R11 - 502
FB6-1920-000	R13 - 5		R43 - 25		R12 - 502
FB6-1920-000	R42 - 38		R43 - 51		R13 - 502
FB6-1920-000	R43 - 38		R42 - 26		R11 - 501
FB6-1920-000	R42 - 39		R43 - 26	XB4-5401-007	R12 - 501
FB6-1920-000	R43 - 39		R B1 - J906		R13 - 501
FB6-1920-000	R42 - 12		R B2 - J906		R40 - 501
FB6-1920-000	R43 - 12		R B3 - J906		R41 - 501
FB6-1920-000	R40 - 10A		R B1 - J921		R42 - 501
FB6-1920-000	R41 - 10A		R B1 - J922	XB4-7400-809	R43 - 501
FB6-1920-000	R11 - 6		R B2 - J921		R42 - 509
FB6-1920-000	R12 - 6		R B2 - J922	XB4-7401-005	R43 - 510
FB6-1920-000	R13 - 6		R B3 - J921		R42 - 502
FB6-1920-000	R40 - 8		R B3 - J922	XB6-7300-609	R43 - 502
FB6-1920-000	R41 - 8	VS1-0842-005	R B1 - J902		R42 - 507
FB6-1920-000	R42 - 46	VS1-0842-011	R B2 - J902	XD1-1106-235	R43 - 507
FB6-1920-000	R43 - 46		R B3 - J902		R42 - 504
FB6-1920-000	R40 - 9		R B1 - J1105	XD2-1100-242	R43 - 504
FB6-1920-000	R41 - 9		R B1 - J9010		

PART NUMBER	FIGURE & KEY NO.	PART NUMBER	FIGURE & KEY NO.	PART NUMBER	FIGURE & KEY NO.
XD2-1100-502	R42 - 503				
XD3-1200-122	R43 - 503				
	R42 - 505				
XH9-0127-000	R43 - 505				
	R40 - 4				
	R41 - 4				

D3 NUMERICAL INDEX (Inner 2-way Tray-B1)

PART NUMBER	FIGURE & KEY NO.	PART NUMBER	FIGURE & KEY NO.	PART NUMBER	FIGURE & KEY NO.
FB4-9814-000	Q30 - 1				
FB5-8126-000	Q30 - 2				
FB5-8129-000	Q30 - 3				
FB6-1494-000	Q30 - 4				
FB6-2450-000	Q01 - 1				
FB6-2451-000	Q01 - 2				
FB6-2452-000	Q30 - 5				
FB6-2453-000	Q30 - 6				
FB6-2454-000	Q01 - 3				
FB6-2455-000	Q30 - 7				
FB6-2456-000	Q01 - 4				
FB6-2457-000	Q30 - 8				
FB6-2458-000	Q30 - 9				
FB6-2461-000	Q30 - 10				
FB6-2462-000	Q01 - 5				
FB6-2463-000	Q30 - 11				
FB6-2464-000	Q30 - 12				
FB6-2465-000	Q30 - 13				
FB6-2466-000	Q01 - 6				
FB6-2468-000	Q30 - 14				
FG6-8489-000	Q01 - 8				
FG6-8490-000	Q30 - 23				
FG6-8667-000	Q30 - 24				
FH7-5779-000	Q30 - 15				
FS5-3977-000	Q30 - 16				
FS5-3978-000	Q30 - 17				
FS5-6932-000	Q01 - 7				
	Q30 - 18				
FS6-1045-000	Q30 - 19				
PCB	Q B - J1601				
	Q B - J1602				
RB2-1998-000	Q30 - 20				
RG9-1337-000	Q30 - 25				
VS1-0842-002	Q B - J811				
VS1-0842-003	Q B - J980				
	Q B - J981				
VS1-0842-008	Q B - J1602				
VS1-5057-002	Q30 - 23A				
	Q B - J811				
VS1-6225-011	Q B - J112				
	Q B - J1601				
WG8-5362-000	Q30 - 21				
XA9-0591-000	Q30 - 26				
XB1-2300-609	Q30 - 501				
XB2-7300-607	Q01 - 501				
XB2-8300-807	Q30 - 502				
XB4-5401-007	Q30 - 503				
XB4-7400-809	Q01 - 502				
XD9-0192-000	Q30 - 22				

D4 NUMERICAL INDEX (PRINTER BOARD-N1)

PART NUMBER	FIGURE & KEY NO.	PART NUMBER	FIGURE & KEY NO.	PART NUMBER	FIGURE & KEY NO.
FG3-2162-000	U13 - 2				
FG3-2272-000	U10 - 2A				
FG3-2296-000	U12 - 1				
FG3-2701-000	U10 - 2				
FG6-8372-000	U11 - 1				
FG6-8892-000	U10 - 3				
FH2-6946-000	U10 - 1				
FH2-6947-000	U11 - 2				
XA9-1223-000	U13 - 1				
XB1-1300-807	U13 - 501				
XB1-2300-607	U10 - 501				
	U11 - 501				

Prepared by
OFFICE IMAGING PRODUCTS QUALITY ASSURANCE CENTER
CANON INC.
Printed in Japan

REVISION 0 [SEPT 2001]

5-1, Hakusan 7-chome, Toride-city, Ibaraki 302-8501, Japan



This publication is
printed on 100%
recycled paper.

Canon